



Bulkhead Fittings

1/2" to 4" - PVC, Corzan® CPVC and PPL



Features

- Rated to 150 PSI
- EPDM or FPM Gasket Seal
- Hex Body for One Person Installation
- All-Plastic Construction
- Proven, Rugged Design

Options

- Ready Flanges for Making Flanged Connections to Tanks

Easy Tank Connections

Hayward Safe-T-Loc Bulkhead Fittings (Tank Adapters) easily permit safe, quick pipe connections to be made to plastic, metal or plastic tanks. Simply cut the proper size opening in the tank, slide the body of the fitting through it, and then just tighten the nut. The fitting is now ready to accept the piping connection.

Rugged Design

Hayward Bulkhead Fittings have been designed to stand up to the most demanding applications without leaking – year in and year out. These bulkhead fittings are molded with an extremely heavy wall thickness and will withstand most abuse without failure.

Leak Protection

All sizes of Hayward Bulkhead Fittings come standard with heavy duty buttress threads to help prevent leaks under pressure. These buttress threads are substantially stronger than the standard threads on ordinary bulkhead fittings.

Easy Installation

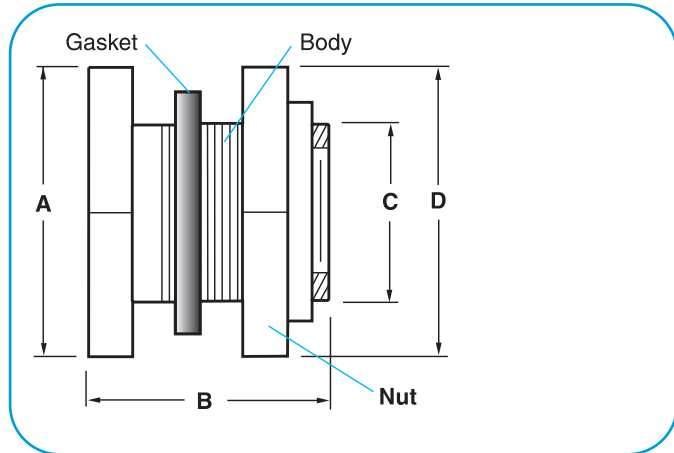
A Hayward Bulkhead Fitting has been designed so that only one person is needed to install it, not two, unlike other ordinary bulkhead fittings. A special hex shape on the body end of the fitting allows it to be gripped from outside the tank while the nut is tightened.

Can't Rust, Won't Corrode

These all-plastic bulkhead fittings will never fail due to rust or corrosion.



Technical Information



Minimum Inside Diameters of Tanks For Bulkhead Fitting Installation

Bulkhead Size	Min. Rigid Tank ID	Min. Flexible Tank ID	Max. Wall Thickness
1/2"	7.25	5.56	1.08
3/4"	10.00	7.75	1.15
1"	11.75	8.94	1.15
1-1/4"	16.25	12.19	1.02
1-1/2"	16.25	12.19	1.02
2"	25.75	19.38	1.09
3"	42.50	36.25	1.14
4"	90.00	76.81	1.69

Dimensions - Inches / Millimeters

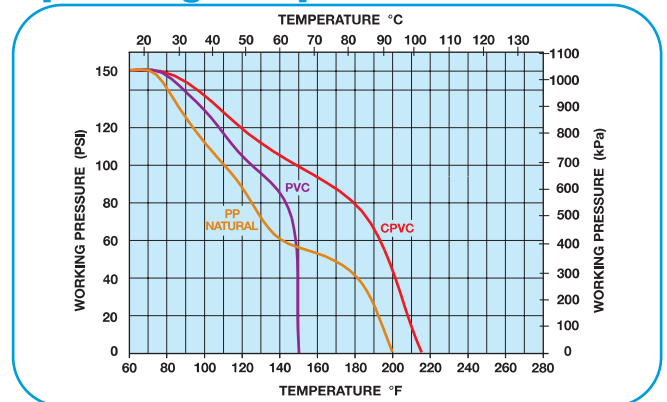
Size	A	B	C Installation Hole Size	D	Weight (lb / kg)
1/2"	2.00 / 51	2.75 / 70	1.38 / 35	2.00 / 51	0.13 / .06
3/4"	2.38 / 60	2.88 / 73	1.63 / 41	2.38 / 60	0.38 / .17
1"	2.56 / 65	2.88 / 73	1.88 / 48	2.56 / 65	0.38 / .17
1-1/4"	3.00 / 76	3.00 / 76	2.38 / 60	3.00 / 76	0.50 / .23
1-1/2"	3.00 / 76	3.00 / 76	2.38 / 60	3.00 / 76	0.50 / .23
2"	4.38 / 111	3.25 / 83	3.25 / 83	4.38 / 111	1.00 / .45
3"	6.00 / 152	3.63 / 92	4.50 / 114	6.00 / 152	2.00 / .90
4"	8.75 / 222	4.75 / 121	5.75 / 146	8.75 / 222	7.00 / 3.2

Dimensions A, C, & D are Across Flats. 1/2" to 2" Hexagon Flats, 3" & 4" Octagon Flats

Selection Chart

Size	Material	End Conn.	Seals	Rating
1/2"-4"	PVC	Socket X Thread Thread X Thread	EPDM or FPM	150 PSI, Non Shock @ 70°F
1/2"-4"	CPVC	Socket X Thread		
1/2"-4"	Natural PPL	Thread X Thread		

Operating Temperature/Pressure





Self-Aligning Bulkhead Fittings

1", 2" and 3" - PVC



Features

- Rated to 75 PSI
- EPDM or FPM Gasket Seal
- Easy Installation
- All Plastic Construction
- Proven, Rugged Design
- Offset Connections to 27°

Applications

- Straight piping connections to the tops of domed tanks or other curved surface vessels

No Hassle Connections

Hayward Self-Aligning Bulkhead Fittings make it easy to connect pipe to the top of domed tanks. Now it's no longer necessary to fabricate expensive, complex sections of pipe to make this, or any other, type of offset connection. Just install the fitting onto the domed tank, position the swivel connection line up to pipe and you're ready to make the straight line connection. No hassles!

Unique Design

Hayward Self-Aligning Bulkhead Fittings feature a unique swivel ball design. The piping connection to the fitting is made into a threaded ball that swivels on a Teflon® seat. Once the connection is positioned at the desired offset angle, a plastic lock ring firmly holds it in position. Straight to offset connections of up to 27 degrees can easily be made.

Easy Installation

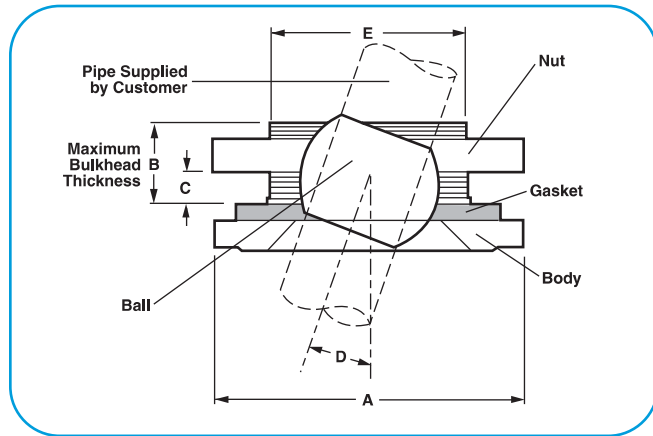
No special tools are needed. Just insert the body of the fitting through the properly sized hole on the tank top and tighten the lock nut. The fitting is now ready for the pipe connection.

All Plastic Construction

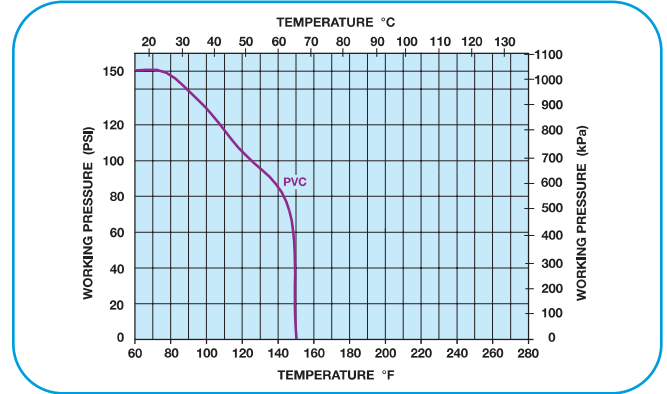
Hayward Self-Aligning Bulkhead Fittings will never rust or corrode like metal fittings. And their PVC material will not contaminate fluids that come in contact with them.



Technical Information



Operating Temperature/Pressure



Dimensions - Inches / Millimeters

Size	A	B	C	D Angle	E	Weight (lb / kg)
1"	4.38 / 111	2.00 / 51	1.25 / 32	27 degrees	3.25 / 83	1.90 / .86
2"	6.00 / 152	2.00 / 51	1.06 / 27	25 degrees	4.50 / 114	4.80 / 2.2
3"	8.75 / 222	2.50 / 64	1.25 / 32	20 degrees	5.75 / 146	11.10 / 2.3

Selection Chart

Size	Material	End Conn.	Seals	Rating
1", 2", 3"	PVC	Thread x Thread	EPDM or FPM	75 PSI @ 70°F

Minimum Inside Diameters of Tanks for Bulkhead Fitting Installation

Bulkhead Size	Min. Rigid Tank I.D.	Min. Flexible Tank I.D.
1"	25.75"	19.38"
2"	42.50"	36.25"
3"	90.00"	76.81"

