

Duct - Fume & Air Product
PVC & CPVC Duct & Fabricated Duct Products

PVC & CPVC Duct & Fabricated Duct Fittings

EFFECTIVE OCTOBER 23, 2017

Duct - Fume & Air Product
PVC & CPVC Duct & Fabricated Duct Products

PVC & CPVC Round Seamless Duct

Part Number	Size	Std Pk	Mstr Ctn	Prod Code	MSRP
-------------	------	--------	----------	-----------	------

10 ft. PVC Duct - Plain End

Price Per Foot



PD-430-060-10	6	10	0	748	14.40
PD-430-080-10	8	10	0	748	18.14
PD-430-100-10	10	10	0	748	22.73
PD-430-120-10	12	10	0	748	27.02
PD-430-140-10	14	10	0	948	32.64
PD-430-160-10	16	10	0	948	37.80
PD-430-180-10	18	10	0	948	54.41
PD-430-200-10	20	10	0	948	65.93
PD-430-240-10	24	10	0	948	89.97

20 ft. PVC Duct - Plain End

Price Per Foot



PD-430-060	6	20	0	748	14.40
PD-430-080	8	20	0	748	18.14
PD-430-100	10	20	0	748	22.73
PD-430-120	12	20	0	748	27.02
PD-430-140	14	20	0	948	32.64
PD-430-160	16	20	0	948	37.80
PD-430-180	18	20	0	948	54.41
PD-430-200	20	20	0	948	65.93
PD-430-240	24	20	0	948	89.97

10 ft. CPVC Duct - Plain End

Price Per Foot



PD-430-060C-10	6	10	0	749	30.76
PD-430-080C-10	8	10	0	749	40.34
PD-430-100C-10	10	10	0	749	50.48
PD-430-120C-10	12	10	0	749	60.03
PD-430-140C-10	14	10	0	949	135.73
PD-430-160C-10	16	10	0	949	155.22

Part Number	Size	Std Pk	Mstr Ctn	Prod Code	MSRP
-------------	------	--------	----------	-----------	------

20 ft. CPVC Duct - Plain End

Price Per Foot



PD-430-060C	6	20	0	749	30.76
PD-430-080C	8	20	0	749	40.34
PD-430-100C	10	20	0	749	50.48
PD-430-120C	12	20	0	749	60.03
PD-430-140C	14	20	0	949	135.73
PD-430-160C	16	20	0	949	155.22
PD-430-180C	18	20	0	949	187.55
PD-430-200C	20	20	0	949	226.32
PD-430-240C	24	20	0	949	310.17

PVC & CPVC Cold Rolled Fabricated Duct

4' PVC Cold Rolled Duct - Plain End

Price Each



PD-430-260	26X4	4	0	434	301.88
PD-430-280	28X4	4	0	434	322.47
PD-430-300	30X4	4	0	434	349.94
PD-430-320	32X4	4	0	434	593.08
PD-430-360	36X4	4	0	434	660.45
PD-430-380	38X4	4	0	434	694.14
PD-430-400	40X4	4	0	434	816.98
PD-430-420	42X4	4	0	434	853.94
PD-430-460	46X4	4	0	434	940.15
PD-430-480	48X4	4	0	434	977.11

4' CPVC Cold Rolled Duct - Plain End

Price Each



PD-430-260C	26X4	4	0	435	1111.23
PD-430-280C	28X4	4	0	435	1191.23
PD-430-300C	30X4	4	0	435	1297.89
PD-430-320C	32X4	4	0	435	2105.08
PD-430-360C	36X4	4	0	435	2350.67
PD-430-380C	38X4	4	0	435	2473.45
PD-430-400C	40X4	4	0	435	2614.09
PD-430-420C	42X4	4	0	435	2736.91
PD-430-460C	46X4	4	0	435	3023.39
PD-430-480C	48X4	4	0	435	3146.14

Duct - Fume & Air Product

PVC & CPVC Duct & Fabricated Duct Products & PVC & CPVC Duct Fittings

PVC & CPVC Cold Rolled Fabricated Duct

Part Number	Size	Std Pk	Mstr Ctn	Prod Code	MSRP
-------------	------	--------	----------	-----------	------

4' CPVC Cold Rolled Duct - Plain End (continued)

Price Each

PVC & CPVC Duct Fittings

PVC Tee

Belled Socket



Part Number	Size	Std Pk	Mstr Ctn	Prod Code	MSRP
4301-060	6	1	4	430	216.56
4301-080	8	1	0	430	275.61
4301-100	10	1	0	430	347.65
4301-120	12	1	0	430	383.02
4301-140	14	1	0	430	445.53
4301-160	16	1	0	430	573.96
4301-180	18	1	0	430	755.36
4301-200	20	1	0	430	1110.01
4301-240	24	1	0	430	1483.56

PVC Tee, Reducing

Belled Socket



Part Number	Size	Std Pk	Mstr Ctn	Prod Code	MSRP
4301-532	6X4	1	2	430	241.15
4301-582	8X4	1	2	430	251.09
4301-585	8X6	1	0	430	266.13
4301-624	10X4	1	2	430	282.67
4301-626	10X6	1	0	430	295.69
4301-628	10X8	1	0	430	364.33
4301-664	12X4	1	2	430	339.29
4301-666	12X6	1	0	430	383.01
4301-668	12X8	1	0	430	408.22
4301-670	12X10	1	0	430	473.26
4301-694	14X4	1	0	430	381.78
4301-696	14X6	1	0	430	413.57
4301-698	14X8	1	0	430	441.98
4301-700	14X10	1	0	430	486.35
4301-702	14X12	1	0	430	571.12
4301-754	16X4	1	0	430	422.45
4301-756	16X6	1	0	430	448.98
4301-758	16X8	1	0	430	507.46
4301-760	16X10	1	0	430	565.63
4301-762	16X12	1	0	430	606.44
4301-764	16X14	1	0	430	686.16
4301-784	18X4	1	0	430	471.38
4301-786	18X6	1	0	430	494.58
4301-788	18X8	1	0	430	561.26
4301-790	18X10	1	0	430	613.14

Part Number	Size	Std Pk	Mstr Ctn	Prod Code	MSRP
-------------	------	--------	----------	-----------	------

PVC Tee, Reducing (continued)

Belled Socket

4301-792	18X12	1	0	430	688.14
4301-794	18X14	1	0	430	750.62
4301-796	18X16	1	0	430	869.63
4301-814	20X4	1	0	430	532.17
4301-816	20X6	1	0	430	547.59
4301-818	20X8	1	0	430	619.78
4301-820	20X10	1	0	430	650.91
4301-822	20X12	1	0	430	748.18
4301-824	20X14	1	0	430	824.97
4301-826	20X16	1	0	430	965.89
4301-828	20X18	1	0	430	1155.24
4301-904	24X4	1	0	430	558.64
4301-906	24X6	1	0	430	582.95
4301-908	24X8	1	0	430	670.01
4301-910	24X10	1	0	430	761.40
4301-912	24X12	1	0	430	887.21
4301-914	24X14	1	0	430	980.40
4301-916	24X16	1	0	430	1082.23
4301-918	24X18	1	0	430	1289.09
4301-920	24X20	1	0	430	1479.76

PVC 90° Elbow

Belled Socket



General Purpose 2-Piece Construction

4306-060	6	1	2	430	171.09
4306-080	8	1	2	430	192.80
4306-100	10	1	0	430	232.64
4306-120	12	1	0	430	262.35
4306-140	14	1	0	430	309.31
4306-160	16	1	0	430	399.60
4306-180	18	1	0	430	556.14
4306-200	20	1	0	430	845.95
4306-240	24	1	0	430	1020.48

PVC 90° Elbow 3-Piece

Belled Socket



General Purpose 3-Piece Constructions

43063-060	6	1	3	430	179.47
43063-080	8	1	2	430	202.78
43063-100	10	1	0	430	245.64
43063-120	12	1	0	430	281.48
43063-140	14	1	0	430	323.76
43063-160	16	1	0	430	424.55
43063-180	18	1	0	430	588.83
43063-200	20	1	0	430	880.80
43063-240	24	1	0	430	1085.88
43063-G26	26	1	0	431	2444.86
43063-280	28	1	0	430	1178.60
43063-300	30	1	0	431	1228.88

Duct - Fume & Air Product
PVC & CPVC Duct Fittings

PVC & CPVC Duct Fittings

Part Number	Size	Std Pk	Mstr Ctn	Prod Code	MSRP
PVC 90° Elbow 3-Piece (continued)					
Belled Socket					
43063-320	32	1	0	431	1417.86
43063-360	36	1	0	431	2197.28

PVC 90° Elbow - SMACNA 3-Piece

Belled Socket

SMACNA Compliant 3-Piece Construction

43063S-060	6	1	0	431	188.97
43063S-080	8	1	0	431	215.43
43063S-100	10	1	0	431	265.08
43063S-120	12	1	0	431	294.13
43063S-140	14	1	0	431	363.45
43063S-160	16	1	0	431	471.61

For Nominal Sizes 18" and Larger, use SMACNA 5-Piece Construction

PVC 90° Elbow - SMACNA 5-Piece

Belled Socket

SMACNA Compliant 5-Piece Construction

43065-060	6	1	0	430	208.62
43065-080	8	1	2	430	302.43
43065-100	10	1	0	430	362.91
43065-120	12	1	0	430	422.27
43065-140	14	1	0	430	490.77
43065-160	16	1	0	430	631.16
43065-180	18	1	0	431	825.26
43065-200	20	1	0	430	1025.19
43065-240	24	1	0	431	1363.81

PVC 45° Elbow

Belled Socket

General Purpose 1-piece Construction

4317-060	6	1	4	430	119.86
4317-080	8	1	6	430	149.43
4317-100	10	1	2	430	161.97
4317-120	12	1	2	430	200.63
4317-140	14	1	2	430	237.02
4317-160	16	1	0	430	287.23
4317-180	18	1	0	430	419.24
4317-200	20	1	0	430	575.14
4317-240	24	1	0	430	748.48

Part Number	Size	Std Pk	Mstr Ctn	Prod Code	MSRP
-------------	------	--------	----------	-----------	------

PVC 45° Elbow - SMACNA 3-Piece

Belled Socket

SMACNA Compliant 3-Piece Construction

43173-060	6	1	0	430	172.20
43173-080	8	1	0	430	188.88
43173-100	10	1	0	430	215.68
43173-120	12	1	0	430	262.21
43173-140	14	1	0	430	298.74
43173-160	16	1	0	430	408.84
43173-180	18	1	0	430	546.20
43173-200	20	1	0	430	853.06
43173-240	24	1	0	430	1037.97

PVC Cross

Belled Socket

4320-060	6	1	0	430	379.66
4320-080	8	1	0	430	522.52
4320-100	10	1	0	430	623.17
4320-120	12	1	0	430	675.95
4320-140	14	1	0	430	836.65
4320-160	16	1	0	430	957.13
4320-180	18	1	0	430	1220.47
4320-200	20	1	0	430	1491.33
4320-240	24	1	0	430	1964.47

PVC Cross, Reducing

Belled Socket

4320-532	6X4	1	3	430	361.31
4320-582	8X4	1	0	430	447.23
4320-585	8X6	1	0	430	473.33
4320-624	10X4	1	0	430	493.51
4320-626	10X6	1	0	430	553.40
4320-628	10X8	1	0	430	583.76
4320-664	12X4	1	0	430	481.56
4320-666	12X6	1	0	430	527.14
4320-668	12X8	1	0	430	592.93
4320-670	12X10	1	0	430	631.15
4320-694	14X4	1	0	430	519.98
4320-696	14X6	1	0	430	598.19
4320-698	14X8	1	0	430	669.15
4320-700	14X10	1	0	430	727.00
4320-702	14X12	1	0	430	806.79
4320-754	16X4	1	0	430	672.98
4320-756	16X6	1	0	430	742.41
4320-758	16X8	1	0	430	798.88
4320-760	16X10	1	0	430	838.75
4320-762	16X12	1	0	430	876.08
4320-764	16X14	1	0	430	919.62

Duct - Fume & Air Product
PVC & CPVC Duct Fittings

PVC & CPVC Duct Fittings

Part Number	Size	Std Pk	Mstr Ctn	Prod Code	MSRP
PVC Cross, Reducing (continued)					
Belled Socket					
4320-784	18X4	1	0	430	762.39
4320-786	18X6	1	0	430	863.80
4320-788	18X8	1	0	430	912.25
4320-790	18X10	1	0	430	972.72
4320-792	18X12	1	0	430	1033.05
4320-794	18X14	1	0	430	1119.37
4320-796	18X16	1	0	430	1169.74
4320-814	20X4	1	0	430	892.82
4320-816	20X6	1	0	430	989.19
4320-818	20X8	1	0	430	1061.31
4320-820	20X10	1	0	430	1116.69
4320-822	20X12	1	0	430	1188.19
4320-824	20X14	1	0	430	1267.84
4320-826	20X16	1	0	430	1340.65
4320-828	20X18	1	0	430	1444.14
4320-904	24X4	1	0	430	982.53
4320-906	24X6	1	0	430	1001.45
4320-908	24X8	1	0	430	1106.72
4320-910	24X10	1	0	430	1220.79
4320-912	24X12	1	0	430	1346.69
4320-914	24X14	1	0	430	1471.55
4320-916	24X16	1	0	430	1577.04
4320-918	24X18	1	0	430	1743.07
4320-920	24X20	1	0	430	1853.91



PVC Coupling

Belled Socket

4329-060	6	1	4	430	46.34
4329-080	8	1	4	430	54.43
4329-100	10	1	2	430	64.13
4329-120	12	1	4	430	72.43
4329-140	14	1	2	430	79.43
4329-160	16	1	2	430	98.08
4329-180	18	1	2	430	143.28
4329-200	20	1	0	430	221.40
4329-240	24	1	0	430	299.74



PVC Coupling, Reducer

Belled Socket

4329-532	6X4	1	4	430	60.54
4329-582	8X4	1	5	430	187.17
4329-585	8X6	1	8	430	79.37
4329-624	10X4	1	2	430	349.83
4329-626	10X6	1	2	430	217.48
4329-628	10X8	1	4	430	101.98
4329-664	12X4	1	2	430	389.64
4329-666	12X6	1	2	430	376.29

Part Number	Size	Std Pk	Mstr Ctn	Prod Code	MSRP
-------------	------	--------	----------	-----------	------

PVC Coupling, Reducer (continued)

Belled Socket

4329-668	12X8	1	2	430	272.29
4329-670	12X10	1	4	430	118.71
4329-694	14X4	1	0	430	967.81
4329-696	14X6	1	0	430	701.18
4329-698	14X8	1	0	430	412.26
4329-700	14X10	1	2	430	340.58
4329-702	14X12	1	4	430	194.85
4329-754	16X4	1	0	430	1169.02
4329-756	16X6	1	0	430	946.96
4329-758	16X8	1	0	430	683.00
4329-760	16X10	1	0	430	475.09
4329-762	16X12	2	0	430	404.84
4329-764	16X14	1	3	430	220.20
4329-784	18X4	1	0	430	1460.48
4329-786	18X6	1	0	430	1192.97
4329-788	18X8	1	0	430	1022.53
4329-790	18X10	1	0	430	698.37
4329-792	18X12	1	0	430	600.34
4329-794	18X14	1	0	430	506.82
4329-796	18X16	1	0	430	252.91
4329-814	20X4	1	0	430	1745.33
4329-816	20X6	1	0	430	1494.15
4329-818	20X8	1	0	430	1218.08
4329-820	20X10	1	0	430	1095.41
4329-822	20X12	1	0	430	956.73
4329-824	20X14	1	0	430	717.52
4329-826	20X16	1	0	430	699.01
4329-828	20X18	1	0	430	446.11
4329-904	24X4	1	0	430	2229.15
4329-906	24X6	1	0	430	1993.69
4329-908	24X8	1	0	430	1733.82
4329-910	24X10	1	0	430	1479.73
4329-912	24X12	1	0	430	1248.49
4329-914	24X14	1	0	430	1098.66
4329-916	24X16	1	0	430	1109.29
4329-918	24X18	1	0	430	827.20
4329-920	24X20	1	0	430	811.56

PVC Coupling, Conical Reducer

Belled Socket

SMACNA Compliant Taper for Multi-Step Reducers

4329C-582	8X4	1	0	431	149.83
4329C-624	10X4	1	0	431	159.79
4329C-626	10X6	1	0	431	177.60
4329C-664	12X4	1	0	431	192.80
4329C-666	12X6	1	2	431	204.66
4329C-668	12X8	1	0	431	217.53
4329C-694	14X4	1	0	431	233.70
4329C-696	14X6	1	0	431	244.29
4329C-698	14X8	1	0	431	259.56
4329C-700	14X10	1	0	431	271.45



Duct - Fume & Air Product
PVC & CPVC Duct Fittings

PVC & CPVC Duct Fittings

Part Number	Size	Std Pk	Mstr Ctn	Prod Code	MSRP
PVC Coupling, Conical Reducer (continued)					
Belled Socket					
4329C-754	16X4	1	0	431	267.63
4329C-756	16X6	1	0	431	276.47
4329C-758	16X8	1	0	431	286.30
4329C-760	16X10	1	0	431	294.51
4329C-762	16X12	1	0	431	300.94
4329C-784	18X4	1	0	431	305.05
4329C-786	18X6	1	0	431	322.77
4329C-788	18X8	1	0	431	335.18
4329C-790	18X10	1	0	431	343.54
4329C-792	18X12	1	0	431	349.10
4329C-794	18X14	1	0	431	364.20
4329C-814	20X4	1	0	431	342.27
4329C-816	20X6	1	0	431	359.01
4329C-818	20X8	1	0	431	375.55
4329C-820	20X10	1	0	431	382.49
4329C-822	20X12	1	0	431	394.30
4329C-824	20X14	1	0	431	410.47
4329C-826	20X16	1	0	431	418.72
4329C-904	24X4	1	0	431	446.01
4329C-906	24X6	1	0	431	460.66
4329C-908	24X8	1	0	431	469.55
4329C-910	24X10	1	0	431	477.95
4329C-912	24X12	1	0	431	491.09
4329C-914	24X14	1	0	431	509.97
4329C-916	24X16	1	0	431	518.07
4329C-918	24X18	1	0	431	529.58
4329C-920	24X20	1	0	431	543.52

PVC Sleeve Coupling

Socket (No Stop)



4329S-060	6	1	5	431	38.31
4329S-080	8	1	8	431	50.37
4329S-100	10	1	4	431	56.75
4329S-120	12	1	4	431	61.99
4329S-140	14	1	4	431	128.68
4329S-160	16	1	0	431	139.45
4329S-180	18	1	2	431	167.97
4329S-200	20	1	2	431	197.36
4329S-240	24	1	2	431	209.94

PVC Flat Cap

Belled Socket



4347-060	6	1	10	430	95.22
4347-080	8	1	5	430	96.92
4347-100	10	1	5	430	104.52
4347-120	12	1	5	430	114.31
4347-140	14	1	4	430	184.28

Part Number	Size	Std Pk	Mstr Ctn	Prod Code	MSRP
-------------	------	--------	----------	-----------	------

PVC Flat Cap (continued)

Belled Socket

4347-160	16	1	2	430	200.82
4347-180	18	1	4	430	218.81
4347-200	20	1	5	430	326.14
4347-240	24	1	4	430	333.42

PVC Rain Cap



Belled Socket Style A

4347-060A	6	1	4	430	725.20
4347-080A	8	1	0	430	728.62
4347-100A	10	1	0	430	758.86
4347-120A	12	1	0	430	785.77
4347-140A	14	1	0	430	860.54
4347-160A	16	1	0	430	939.29
4347-180A	18	1	0	430	1253.22
4347-200A	20	1	0	430	1333.59
4347-240A	24	1	0	430	1510.99

PVC Rain Cap



Belled Socket Style B

4347-060B	6	1	0	430	684.96
4347-080B	8	1	0	430	775.11
4347-100B	10	1	0	430	838.07
4347-120B	12	1	8	430	912.55
4347-140B	14	1	0	430	1025.81
4347-160B	16	1	0	430	1244.41
4347-180B	18	1	0	430	1504.48
4347-200B	20	1	0	430	1726.16
4347-240B	24	1	0	430	1998.06

PVC Flange - SMACNA

Belled Socket One Piece



SMACNA Bolt Pattern

4351S-060	6	1	5	430	98.68
4351S-080	8	1	2	430	125.43
4351S-100	10	1	4	430	134.03
4351S-120	12	1	2	430	156.37
4351S-140	14	3	0	430	171.52
4351S-160	16	1	0	430	221.24
4351S-180	18	1	3	430	329.76
4351S-200	20	4	0	430	404.48
4351S-240	24	1	0	430	435.41

Also available in ANSI Class 150 Bolt Pattern.

Duct - Fume & Air Product
PVC & CPVC Duct Fittings

PVC & CPVC Duct Fittings

Part Number	Size	Std Pk	Mstr Ctn	Prod Code	MSRP
-------------	------	--------	----------	-----------	------

PVC Flange, Blind

One Piece



Class 150 Bolt Pattern

4353-060	6	1	36	430	95.46
4353-080	8	1	52	430	119.76
4353-100	10	1	18	430	132.12
4353-120	12	1	50	430	158.80
4353-140	14	1	50	430	202.09
4353-160	16	1	50	430	229.77
4353-180	18	1	50	430	279.84
4353-200	20	1	57	430	390.31
4353-240	24	1	0	430	420.16

PVC Flange, Blind - SMACNA

One Piece



SMACNA Bolt Pattern

4353S-060	6	1	0	430	101.59
4353S-080	8	1	10	430	127.40
4353S-100	10	1	52	430	140.54
4353S-120	12	1	52	430	168.94
4353S-140	14	1	52	430	215.00
4353S-160	16	1	50	430	244.43
4353S-180	18	1	50	430	302.89
4353S-200	20	1	50	430	415.20
4353S-240	24	1	0	430	446.96

PVC Wye

Belled Socket



4375-060	6	1	2	430	298.35
4375-080	8	1	0	430	364.66
4375-100	10	1	0	430	442.34
4375-120	12	1	0	430	571.34
4375-140	14	1	0	430	695.26
4375-160	16	1	0	430	828.55
4375-180	18	1	0	430	1230.41
4375-200	20	1	0	430	1402.59
4375-240	24	1	0	430	1904.03

PVC Wye, Reducing

Belled Socket



4375-532	6X4	1	2	430	290.76
4375-582	8X4	1	2	430	317.95
4375-585	8X6	1	0	430	333.57
4375-624	10X4	1	0	430	361.76

Part Number	Size	Std Pk	Mstr Ctn	Prod Code	MSRP
-------------	------	--------	----------	-----------	------

PVC Wye, Reducing (continued)

Belled Socket

4375-626	10X6	1	0	430	387.81
4375-628	10X8	1	0	430	425.34
4375-664	12X4	1	0	430	395.86
4375-666	12X6	1	0	430	416.57
4375-668	12X8	1	0	430	472.61
4375-670	12X10	1	0	430	529.17
4375-694	14X4	1	0	430	462.67
4375-696	14X6	1	0	430	495.09
4375-698	14X8	1	0	430	530.58
4375-700	14X10	1	0	430	605.89
4375-702	14X12	1	0	430	679.42
4375-754	16X4	1	0	430	549.00
4375-756	16X6	1	0	430	587.25
4375-758	16X8	1	0	430	608.43
4375-760	16X10	1	0	430	643.56
4375-762	16X12	1	0	430	703.07
4375-764	16X14	1	0	430	799.39
4375-784	18X4	1	0	430	645.78
4375-786	18X6	1	0	430	673.61
4375-788	18X8	1	0	430	733.51
4375-790	18X10	1	0	430	769.78
4375-792	18X12	1	0	430	810.86
4375-794	18X14	1	0	430	921.05
4375-796	18X16	1	0	430	1078.57
4375-814	20X4	1	0	430	727.17
4375-816	20X6	1	0	430	773.87
4375-818	20X8	1	0	430	821.85
4375-820	20X10	1	0	430	869.00
4375-822	20X12	1	0	430	923.01
4375-824	20X14	1	0	430	981.62
4375-826	20X16	1	0	430	1172.72
4375-828	20X18	1	0	430	1349.31
4375-904	24X4	1	0	430	873.53
4375-906	24X6	1	0	430	922.93
4375-908	24X8	1	0	430	1009.82
4375-910	24X10	1	0	430	1115.61
4375-912	24X12	1	0	430	1188.41
4375-914	24X14	1	0	430	1301.36
4375-916	24X16	1	0	430	1356.89
4375-918	24X18	1	0	430	1539.27
4375-920	24X20	1	0	430	1739.86

PVC Wye, Double

Belled Socket



4376-060	6	1	0	430	298.12
4376-080	8	1	0	430	344.49
4376-100	10	1	0	430	391.46
4376-120	12	1	0	430	463.81
4376-140	14	1	0	430	969.65
4376-160	16	1	0	430	1162.07
4376-180	18	1	0	430	1663.49

Duct - Fume & Air Product
PVC & CPVC Duct Fittings

PVC & CPVC Duct Fittings

Part Number	Size	Std Pk	Mstr Ctn	Prod Code	MSRP
-------------	------	--------	----------	-----------	------

PVC Wye, Double (continued)

Belled Socket

4376-200	20	1	0	430	2364.66
4376-240	24	1	0	430	4481.01

PVC Wye, Double Reducing

Belled Socket

4376-532	6X4	1	0	430	388.18
4376-582	8X4	1	0	430	284.97
4376-585	8X6	1	0	430	321.95
4376-624	10X4	1	0	430	516.81
4376-626	10X6	1	0	430	545.71
4376-628	10X8	1	0	430	552.58
4376-664	12X4	1	0	430	344.55
4376-666	12X6	1	0	430	414.18
4376-668	12X8	1	0	430	422.72
4376-670	12X10	1	0	430	428.52
4376-694	14X4	1	0	430	659.99
4376-696	14X6	1	0	430	670.59
4376-698	14X8	1	0	430	687.42
4376-700	14X10	1	0	430	771.66
4376-702	14X12	1	0	430	916.38
4376-754	16X4	1	0	430	597.11
4376-756	16X6	1	0	430	698.59
4376-758	16X8	1	0	430	733.23
4376-760	16X10	1	0	430	787.99
4376-762	16X12	1	0	430	862.79
4376-764	16X14	1	0	430	1142.36
4376-784	18X4	1	0	430	709.55
4376-786	18X6	1	0	430	794.59
4376-788	18X8	1	0	430	847.17
4376-790	18X10	1	0	430	940.94
4376-792	18X12	1	0	430	995.61
4376-794	18X14	1	0	430	1232.91
4376-796	18X16	1	0	430	1531.82
4376-814	20X4	1	0	430	819.13
4376-816	20X6	1	0	430	1033.51
4376-818	20X8	1	0	430	1110.33
4376-820	20X10	1	0	430	1234.13
4376-822	20X12	1	0	430	1340.52
4376-824	20X14	1	0	430	1854.72
4376-826	20X16	1	0	430	2051.85
4376-828	20X18	1	0	430	2392.08
4376-904	24X4	1	0	430	956.02
4376-906	24X6	1	0	430	1204.71
4376-908	24X8	1	0	430	1318.80
4376-910	24X10	1	0	430	1491.92
4376-912	24X12	1	0	430	1635.76
4376-914	24X14	1	0	430	1789.02
4376-916	24X16	1	0	430	1971.79
4376-918	24X18	1	0	430	2319.81



Part Number	Size	Std Pk	Mstr Ctn	Prod Code	MSRP
-------------	------	--------	----------	-----------	------

PVC Wye, Double Reducing (continued)

Belled Socket

4376-920	24X20	1	0	430	3577.11
----------	-------	---	---	-----	---------

PVC Blast Gate

Belled End

43BG-060	6	1	0	430	286.48
43BG-080	8	1	2	430	325.66
43BG-100	10	1	3	430	345.18
43BG-120	12	1	2	430	432.51
43BG-140	14	1	0	430	574.11
43BG-160	16	1	0	430	637.97
43BG-180	18	1	0	430	752.62
43BG-200	20	1	0	430	854.17
43BG-240	24	1	2	430	1163.86



PVC Butterfly Damper

Belled Socket

43BD-060	6	1	2	430	280.59
43BD-080	8	1	0	430	289.20
43BD-100	10	1	0	430	331.27
43BD-120	12	1	0	430	354.99
43BD-140	14	1	0	430	475.31
43BD-160	16	1	0	430	529.67
43BD-180	18	1	2	430	718.89
43BD-200	20	1	0	430	847.17
43BD-240	24	1	0	430	1094.89



CPVC Tee

Belled Socket

4301-060C	6	1	4	432	399.06
4301-080C	8	1	0	432	530.14
4301-100C	10	1	0	432	741.80
4301-120C	12	1	0	432	896.85
4301-140C	14	1	0	432	1052.66
4301-160C	16	1	0	432	1304.35
4301-180C	18	1	0	432	1552.58
4301-200C	20	1	0	432	2151.65
4301-240C	24	1	0	432	3072.34



CPVC Tee, Reducing

Belled Socket

4301-532C	6X4	1	4	432	342.96
4301-582C	8X4	1	2	432	395.24
4301-585C	8X6	1	0	432	458.19
4301-624C	10X4	1	2	432	494.55
4301-626C	10X6	1	0	432	566.15



Duct - Fume & Air Product
PVC & CPVC Duct Fittings

PVC & CPVC Duct Fittings

Part Number	Size	Std Pk	Mstr Ctn	Prod Code	MSRP
CPVC Tee, Reducing (continued)					
Belled Socket					
4301-628C	10X8	1	0	432	621.60
4301-664C	12X4	1	2	432	569.91
4301-666C	12X6	1	0	432	608.52
4301-668C	12X8	1	0	432	741.36
4301-670C	12X10	1	0	432	869.18
4301-694C	14X4	1	0	432	721.40
4301-696C	14X6	1	0	432	759.04
4301-698C	14X8	1	0	432	846.15
4301-700C	14X10	1	0	432	983.57
4301-702C	14X12	1	0	432	1021.18
4301-754C	16X4	1	0	432	793.56
4301-756C	16X6	1	0	432	835.32
4301-758C	16X8	1	0	432	928.14
4301-760C	16X10	1	0	432	1079.25
4301-762C	16X12	1	0	432	1152.47
4301-764C	16X14	1	0	432	1327.07
4301-784C	18X4	1	0	432	1003.24
4301-786C	18X6	1	0	432	1078.79
4301-788C	18X8	1	0	432	1146.16
4301-790C	18X10	1	0	432	1232.44
4301-792C	18X12	1	0	432	1311.11
4301-794C	18X14	1	0	432	1477.18
4301-796C	18X16	1	0	432	1530.17
4301-814C	20X4	1	0	432	1203.32
4301-816C	20X6	1	0	432	1254.94
4301-818C	20X8	1	0	432	1410.05
4301-820C	20X10	1	0	432	1471.85
4301-822C	20X12	1	0	432	1565.81
4301-824C	20X14	1	0	432	1683.67
4301-826C	20X16	1	0	432	1876.93
4301-828C	20X18	1	0	432	2147.49
4301-904C	24X4	1	0	432	1392.44
4301-906C	24X6	1	0	432	1601.47
4301-908C	24X8	1	0	432	1703.67
4301-910C	24X10	1	0	432	1793.39
4301-912C	24X12	1	0	432	1949.32
4301-914C	24X14	1	0	432	2096.03
4301-916C	24X16	1	0	432	2229.83
4301-918C	24X18	1	0	432	2610.91
4301-920C	24X20	1	0	432	2978.40

CPVC 90° Elbow

Belled Socket

General Purpose 2-piece Construction

4306-060C	6	1	2	432	281.91
4306-080C	8	1	2	432	377.84
4306-100C	10	1	0	432	513.88
4306-120C	12	1	0	432	614.52
4306-140C	14	1	0	432	772.33



Part Number	Size	Std Pk	Mstr Ctn	Prod Code	MSRP
-------------	------	--------	----------	-----------	------

CPVC 90° Elbow (continued)

Belled Socket

4306-160C	16	1	0	432	947.13
4306-180C	18	1	0	432	1193.32
4306-200C	20	1	0	432	3508.38
4306-240C	24	1	0	432	4826.48

CPVC 90° Elbow 3-Piece

Belled Socket

General Purpose 3-Piece Construction

43063-060C	6	1	3	432	273.46
43063-080C	8	1	2	432	387.19
43063-100C	10	1	0	432	542.63
43063-120C	12	1	0	432	641.32
43063-140C	14	1	0	432	818.72
43063-160C	16	1	0	432	1005.00
43063-180C	18	1	0	432	1277.27
43063-200C	20	1	0	432	1606.02
43063-240C	24	1	0	432	2432.39
43063-G26C	26	1	0	432	6075.81
43063-280C	28	1	0	432	2676.39
43063-300C	30	1	0	432	2802.91
43063-320C	32	1	0	432	3188.51
43063-360C	36	1	0	432	4587.75



CPVC 90° Elbow - SMACNA 3-Piece

Belled End

SMACNA Compliant 3-Piece Construction

43063S-060C	6	1	0	433	282.87
43063S-080C	8	1	0	433	399.89
43063S-100C	10	1	0	433	551.89
43063S-120C	12	1	0	433	654.27
43063S-140C	14	1	0	433	905.73
43063S-160C	16	1	0	433	1154.61

For Nominal Sizes 18" and Larger, use SMACNA 5-Piece Construction

CPVC 90° Elbow - SMACNA 5-Piece

Belled Socket

SMACNA Compliant 5-Piece Construction

43065-060C	6	1	2	432	338.36
43065-080C	8	1	0	432	473.19
43065-100C	10	1	0	432	592.93
43065-120C	12	1	0	432	734.12
43065-140C	14	1	0	432	1470.72
43065-160C	16	1	0	432	1839.16
43065-180C	18	1	0	432	2465.81
43065-200C	20	1	0	432	3194.60
43065-240C	24	1	0	432	4269.37



Duct - Fume & Air Product
PVC & CPVC Duct Fittings

PVC & CPVC Duct Fittings

Part Number	Size	Std Pk	Mstr Ctn	Prod Code	MSRP
-------------	------	--------	----------	-----------	------

CPVC 45° Elbow



Belled Socket

General Purpose 1-piece Construction

4317-060C	6	1	4	432	215.45
4317-080C	8	1	6	432	288.26
4317-100C	10	1	2	432	389.54
4317-120C	12	1	2	432	471.11
4317-140C	14	2	0	432	580.83
4317-160C	16	1	0	432	668.83
4317-180C	18	1	0	432	901.41
4317-200C	20	1	0	432	1216.46
4317-240C	24	1	0	432	1710.45

CPVC 45° Elbow - SMACNA 3-Piece



Belled Socket

SMACNA Compliant 3-Piece Construction

43173-060C	6	1	0	432	257.87
43173-080C	8	1	0	432	365.76
43173-100C	10	1	0	432	480.18
43173-120C	12	1	0	432	552.84
43173-140C	14	1	0	432	792.49
43173-160C	16	1	0	432	976.46
43173-180C	18	1	0	432	1251.39
43173-200C	20	1	0	432	1564.28
43173-240C	24	1	0	432	2368.61

CPVC Cross



Belled Socket

4320-060C	6	1	0	432	790.09
4320-080C	8	1	0	432	1049.67
4320-100C	10	1	0	432	1468.76
4320-120C	12	1	0	432	1775.78
4320-140C	14	1	0	432	2084.27
4320-160C	16	1	0	432	2582.61
4320-180C	18	1	0	432	3074.09
4320-200C	20	1	0	432	4260.31
4320-240C	24	1	0	432	6083.18

CPVC Cross, Reducing



Belled Socket

4320-532C	6X4	1	3	432	700.23
4320-582C	8X4	1	0	432	868.41
4320-585C	8X6	1	0	432	916.38
4320-624C	10X4	1	0	432	979.19

Part Number	Size	Std Pk	Mstr Ctn	Prod Code	MSRP
-------------	------	--------	----------	-----------	------

CPVC Cross, Reducing (continued)

Belled Socket

4320-626C	10X6	1	0	432	1120.99
4320-628C	10X8	1	0	432	1230.74
4320-664C	12X4	1	0	432	1128.42
4320-666C	12X6	1	0	432	1204.87
4320-668C	12X8	1	0	432	1467.93
4320-670C	12X10	1	0	432	1720.97
4320-694C	14X4	1	0	432	1428.38
4320-696C	14X6	1	0	432	1502.96
4320-698C	14X8	1	0	432	1675.38
4320-700C	14X10	1	0	432	1947.46
4320-702C	14X12	1	0	432	2021.93
4320-754C	16X4	1	0	432	1571.23
4320-756C	16X6	1	0	432	1653.94
4320-758C	16X8	1	0	432	1837.74
4320-760C	16X10	1	0	432	2136.92
4320-762C	16X12	1	0	432	2281.85
4320-764C	16X14	1	0	432	2627.61
4320-784C	18X4	1	0	432	1986.48
4320-786C	18X6	1	0	432	2135.98
4320-788C	18X8	1	0	432	2269.42
4320-790C	18X10	1	0	432	2440.23
4320-792C	18X12	1	0	432	2595.99
4320-794C	18X14	1	0	432	2924.80
4320-796C	18X16	1	0	432	3029.75
4320-814C	20X4	1	0	432	2382.57
4320-816C	20X6	1	0	432	2484.79
4320-818C	20X8	1	0	432	2791.91
4320-820C	20X10	1	0	432	2914.28
4320-822C	20X12	1	0	432	3100.29
4320-824C	20X14	1	0	432	3333.63
4320-826C	20X16	1	0	432	3716.35
4320-828C	20X18	1	0	432	4252.01
4320-904C	24X4	1	0	432	2757.04
4320-906C	24X6	1	0	432	3170.94
4320-908C	24X8	1	0	432	3373.29
4320-910C	24X10	1	0	432	3550.83
4320-912C	24X12	1	0	432	3859.64
4320-914C	24X14	1	0	432	4150.12
4320-916C	24X16	1	0	432	4415.03
4320-918C	24X18	1	0	432	5169.57
4320-920C	24X20	1	0	432	5897.23

CPVC Coupling



Belled Socket

4329-060C	6	1	4	432	98.99
4329-080C	8	1	8	432	126.23
4329-100C	10	1	2	432	166.26
4329-120C	12	1	3	432	185.19
4329-140C	14	1	2	432	229.12
4329-160C	16	1	2	432	250.01
4329-180C	18	1	0	432	312.54

Duct - Fume & Air Product
PVC & CPVC Duct Fittings

PVC & CPVC Duct Fittings

Part Number	Size	Std Pk	Mstr Ctn	Prod Code	MSRP
-------------	------	--------	----------	-----------	------

CPVC Coupling (continued)

Belled Socket

4329-200C	20	1	0	432	392.92
4329-240C	24	1	2	432	483.33

CPVC Coupling, Reducer

Belled Socket

4329-532C	6X4	1	4	432	193.24
4329-582C	8X4	1	8	432	475.84
4329-585C	8X6	1	8	432	187.19
4329-624C	10X4	1	2	432	655.51
4329-626C	10X6	1	2	432	485.34
4329-628C	10X8	1	4	432	248.29
4329-664C	12X4	1	2	432	926.34
4329-666C	12X6	1	2	432	733.77
4329-668C	12X8	1	2	432	637.84
4329-670C	12X10	1	0	432	339.67
4329-694C	14X4	1	0	432	1189.82
4329-696C	14X6	1	0	432	951.86
4329-698C	14X8	1	0	432	809.11
4329-700C	14X10	1	0	432	829.12
4329-702C	14X12	1	4	432	464.98
4329-754C	16X4	1	0	432	1549.80
4329-756C	16X6	1	0	432	1233.93
4329-758C	16X8	1	0	432	1045.71
4329-760C	16X10	1	0	432	993.06
4329-762C	16X12	1	0	432	966.36
4329-764C	16X14	1	3	432	597.41
4329-784C	18X4	1	0	432	1874.40
4329-786C	18X6	1	0	432	1505.56
4329-788C	18X8	1	0	432	1275.87
4329-790C	18X10	1	0	432	1208.21
4329-792C	18X12	1	0	432	1164.00
4329-794C	18X14	1	0	432	1131.74
4329-796C	18X16	1	0	432	702.14
4329-814C	20X4	1	0	432	2443.51
4329-816C	20X6	1	0	432	1970.58
4329-818C	20X8	1	0	432	1678.77
4329-820C	20X10	1	0	432	1583.74
4329-822C	20X12	1	0	432	1518.62
4329-824C	20X14	1	0	432	1432.69
4329-826C	20X16	1	0	432	1407.15
4329-828C	20X18	1	0	432	1025.63
4329-904C	24X4	1	0	432	3139.44
4329-906C	24X6	1	0	432	2528.88
4329-908C	24X8	1	0	432	2181.46
4329-910C	24X10	1	0	432	2040.96
4329-912C	24X12	1	0	432	1964.34
4329-914C	24X14	1	0	432	1853.14
4329-916C	24X16	1	0	432	2529.27
4329-918C	24X18	1	0	432	1641.69



Part Number	Size	Std Pk	Mstr Ctn	Prod Code	MSRP
-------------	------	--------	----------	-----------	------

CPVC Coupling, Reducer (continued)

Belled Socket

4329-920C	24X20	1	0	432	1628.09
-----------	-------	---	---	-----	---------

CPVC Coupling, Conical Reducer

Belled Socket



SMACNA Compliant Taper for Multi-Step Reducers

4329C-582C	8X4	1	0	433	241.66
4329C-624C	10X4	1	0	433	281.36
4329C-626C	10X6	1	0	432	310.80
4329C-664C	12X4	1	0	433	348.96
4329C-666C	12X6	1	0	433	371.36
4329C-668C	12X8	1	0	433	379.44
4329C-694C	14X4	1	0	433	517.48
4329C-696C	14X6	1	0	433	532.34
4329C-698C	14X8	1	0	433	548.96
4329C-700C	14X10	1	0	433	575.77
4329C-754C	16X4	1	0	433	637.54
4329C-756C	16X6	1	0	433	643.45
4329C-758C	16X8	1	0	433	661.06
4329C-760C	16X10	1	0	433	674.96
4329C-762C	16X12	1	0	433	697.36
4329C-784C	18X4	1	0	433	777.74
4329C-786C	18X6	1	0	433	812.15
4329C-788C	18X8	1	0	433	846.05
4329C-790C	18X10	1	0	433	866.19
4329C-792C	18X12	1	0	433	879.99
4329C-794C	18X14	1	0	433	904.79
4329C-814C	20X4	1	0	433	950.64
4329C-816C	20X6	1	0	433	990.46
4329C-818C	20X8	1	0	433	1017.54
4329C-820C	20X10	1	0	433	1022.37
4329C-822C	20X12	1	0	433	1034.54
4329C-824C	20X14	1	0	433	1058.22
4329C-826C	20X16	1	0	433	1095.71
4329C-904C	24X4	1	0	433	1224.92
4329C-906C	24X6	1	0	433	1260.01
4329C-908C	24X8	1	0	433	1269.31
4329C-910C	24X10	1	0	433	1310.46
4329C-912C	24X12	1	0	433	1322.36
4329C-914C	24X14	1	0	433	1333.12
4329C-916C	24X16	1	0	433	1374.09
4329C-918C	24X18	1	0	433	1395.28
4329C-920C	24X20	1	0	433	1426.16

CPVC Sleeve Coupling

Socket (No Stop)

4329S-060C	6	1	10	433	54.62
4329S-080C	8	1	6	433	68.35
4329S-100C	10	1	4	433	81.93
4329S-120C	12	1	3	433	90.95



Duct - Fume & Air Product
PVC & CPVC Duct Fittings

PVC & CPVC Duct Fittings

Part Number	Size	Std Pk	Mstr Ctn	Prod Code	MSRP
CPVC Sleeve Coupling (continued)					
Socket (No Stop)					
4329S-140C	14	1	2	433	342.39
4329S-160C	16	1	3	433	376.72
4329S-180C	18	1	2	433	458.13
4329S-200C	20	1	2	433	535.54
4329S-240C	24	1	2	433	610.70

CPVC Flat Cap

Belled Socket

4347-060C	6	1	6	432	182.65
4347-080C	8	1	5	432	217.61
4347-100C	10	1	4	432	253.71
4347-120C	12	1	5	432	289.71
4347-140C	14	1	4	432	325.95
4347-160C	16	1	2	432	374.53
4347-180C	18	1	5	432	472.88
4347-200C	20	1	5	432	678.97
4347-240C	24	1	5	432	724.48

CPVC Rain Cap

Belled Socket Style A

4347-060AC	6	1	4	432	862.98
4347-080AC	8	1	0	432	1180.79
4347-100AC	10	1	0	432	1372.79
4347-120AC	12	1	0	432	1356.87
4347-140AC	14	1	0	432	2241.54
4347-160AC	16	1	0	432	2557.87
4347-180AC	18	1	0	432	2947.87
4347-200AC	20	1	0	432	4303.82
4347-240AC	24	1	0	432	5077.39

CPVC Rain Cap

Belled Socket Style B

4347-060BC	6	1	0	432	772.58
4347-080BC	8	1	0	432	1145.67
4347-100BC	10	1	0	432	1388.96
4347-120BC	12	1	0	432	1669.06
4347-140BC	14	1	0	432	2249.82
4347-160BC	16	1	0	432	2561.82
4347-180BC	18	1	0	432	3140.26
4347-200BC	20	1	0	432	4618.53
4347-240BC	24	1	0	432	5029.59

Part Number	Size	Std Pk	Mstr Ctn	Prod Code	MSRP
-------------	------	--------	----------	-----------	------

CPVC Flange - SMACNA

Belled Socket One Piece

SMACNA Bolt Pattern

4351S-060C	6	1	4	432	225.33
4351S-080C	8	1	2	432	260.81
4351S-100C	10	1	4	432	321.97
4351S-120C	12	1	2	432	342.45
4351S-140C	14	1	0	432	397.11
4351S-160C	16	1	4	432	462.11
4351S-180C	18	1	0	432	618.14
4351S-200C	20	1	0	432	750.55
4351S-240C	24	1	0	432	1057.33

Also available in ANSI Class 150 Bolt Pattern.

CPVC Flange, Blind

One Piece

Class 150 Bolt Pattern

4353-060C	6	1	36	432	226.80
4353-080C	8	1	36	432	260.61
4353-100C	10	1	18	432	314.34
4353-120C	12	1	4	432	345.63
4353-140C	14	1	6	432	410.54
4353-160C	16	1	0	432	452.06
4353-180C	18	1	0	432	642.74
4353-200C	20	1	14	432	796.39
4353-240C	24	1	0	432	1062.47

CPVC Flange, Blind - SMACNA

One Piece

SMACNA Bolt Pattern

4353S-060C	6	1	52	432	241.29
4353S-080C	8	1	52	432	277.24
4353S-100C	10	1	52	432	334.40
4353S-120C	12	1	52	432	367.66
4353S-140C	14	1	52	432	436.76
4353S-160C	16	1	50	432	485.80
4353S-180C	18	1	50	432	683.80
4353S-200C	20	1	50	432	847.20
4353S-240C	24	1	57	432	1129.60

CPVC Wye

Belled Socket

4375-060C	6	1	2	432	452.46
4375-080C	8	1	0	432	643.61
4375-100C	10	1	0	432	784.36
4375-120C	12	1	0	432	991.78

Duct - Fume & Air Product
PVC & CPVC Duct Fittings

PVC & CPVC Duct Fittings

Part Number	Size	Std Pk	Mstr Ctn	Prod Code	MSRP
CPVC Wye (continued)					
Belled Socket					
4375-140C	14	1	0	432	1322.74
4375-160C	16	1	0	432	1557.66
4375-180C	18	1	0	432	1917.60
4375-200C	20	1	0	432	2344.35
4375-240C	24	1	0	432	3390.01

CPVC Wye, Reducing

Belled Socket

4375-532C	6X4	1	2	432	449.35
4375-582C	8X4	1	2	432	543.65
4375-585C	8X6	1	0	432	547.41
4375-624C	10X4	1	0	432	649.85
4375-626C	10X6	1	0	432	663.12
4375-628C	10X8	1	0	432	787.22
4375-664C	12X4	1	0	432	743.20
4375-666C	12X6	1	0	432	765.04
4375-668C	12X8	1	0	432	893.48
4375-670C	12X10	1	0	432	1516.60
4375-694C	14X4	1	0	432	816.21
4375-696C	14X6	1	0	432	826.87
4375-698C	14X8	1	0	432	1008.37
4375-700C	14X10	1	0	432	1175.08
4375-702C	14X12	1	0	432	2465.08
4375-754C	16X4	1	0	432	863.54
4375-756C	16X6	1	0	432	869.31
4375-758C	16X8	1	0	432	1060.12
4375-760C	16X10	1	0	432	1262.09
4375-762C	16X12	1	0	432	1392.85
4375-764C	16X14	1	0	432	1527.00
4375-784C	18X4	1	0	432	935.77
4375-786C	18X6	1	0	432	949.21
4375-788C	18X8	1	0	432	1116.72
4375-790C	18X10	1	0	432	1378.66
4375-792C	18X12	1	0	432	1532.08
4375-794C	18X14	1	0	432	1836.39
4375-796C	18X16	1	0	432	2074.99
4375-814C	20X4	1	0	432	1709.84
4375-816C	20X6	1	0	432	1787.09
4375-818C	20X8	1	0	432	1938.79
4375-820C	20X10	1	0	432	2014.93
4375-822C	20X12	1	0	432	2516.84
4375-824C	20X14	1	0	432	2608.49
4375-826C	20X16	1	0	432	2817.24
4375-828C	20X18	1	0	432	3026.48
4375-904C	24X4	1	0	432	1920.79
4375-906C	24X6	1	0	432	2030.82
4375-908C	24X8	1	0	432	2329.09
4375-910C	24X10	1	0	432	2643.08
4375-912C	24X12	1	0	432	2844.16



Part Number	Size	Std Pk	Mstr Ctn	Prod Code	MSRP
-------------	------	--------	----------	-----------	------

CPVC Wye, Reducing (continued)

Belled Socket

4375-914C	24X14	1	0	432	2984.77
4375-916C	24X16	1	0	432	3132.66
4375-918C	24X18	1	0	432	3491.01
4375-920C	24X20	1	0	432	3893.45

CPVC Wye, Double

Belled Socket

4376-060C	6	1	0	432	431.46
4376-080C	8	1	0	432	574.28
4376-100C	10	1	0	432	612.16
4376-120C	12	1	0	432	860.17
4376-140C	14	1	0	432	3455.83
4376-160C	16	1	0	432	4031.52
4376-180C	18	1	0	432	5285.43
4376-200C	20	1	0	432	7172.52
4376-240C	24	1	0	432	14424.49



CPVC Wye, Double Reducing

Belled Socket

4376-532C	6X4	1	0	432	477.49
4376-582C	8X4	1	2	432	334.54
4376-585C	8X6	1	0	432	470.86
4376-624C	10X4	1	0	432	619.76
4376-626C	10X6	1	0	432	692.16
4376-628C	10X8	1	0	432	726.82
4376-664C	12X4	1	0	432	515.32
4376-666C	12X6	1	0	432	582.45
4376-668C	12X8	1	0	432	670.44
4376-670C	12X10	1	0	432	814.07
4376-694C	14X4	1	0	432	1797.28
4376-696C	14X6	1	0	432	1839.12
4376-698C	14X8	1	0	432	1954.25
4376-700C	14X10	1	0	432	2327.85
4376-702C	14X12	1	0	432	2602.97
4376-754C	16X4	1	0	432	1885.61
4376-756C	16X6	1	0	432	2022.93
4376-758C	16X8	1	0	432	2156.83
4376-760C	16X10	1	0	432	2384.04
4376-762C	16X12	1	0	432	2767.88
4376-764C	16X14	1	0	432	4250.31
4376-784C	18X4	1	0	432	2065.78
4376-786C	18X6	1	0	432	2145.53
4376-788C	18X8	1	0	432	2433.47
4376-790C	18X10	1	0	432	2714.13
4376-792C	18X12	1	0	432	2953.12
4376-794C	18X14	1	0	432	3915.01
4376-796C	18X16	1	0	432	4727.09
4376-814C	20X4	1	0	432	2421.35
4376-816C	20X6	1	0	432	2878.20



Duct - Fume & Air Product
PVC & CPVC Duct Hangers

PVC & CPVC Duct Fittings

Part Number	Size	Std Pk	Mstr Ctn	Prod Code	MSRP
CPVC Wye, Double Reducing (continued)					
Belled Socket					
4376-818C	20X8	1	0	432	3028.44
4376-820C	20X10	1	0	432	3403.81
4376-822C	20X12	1	0	432	3623.44
4376-824C	20X14	1	0	432	5237.51
4376-826C	20X16	1	0	432	5269.26
4376-828C	20X18	1	0	432	5700.29
4376-904C	24X4	1	0	432	2758.20
4376-906C	24X6	1	0	432	3019.32
4376-908C	24X8	1	0	432	3408.98
4376-910C	24X10	1	0	432	3797.12
4376-912C	24X12	1	0	432	3901.14
4376-914C	24X14	1	0	432	6065.33
4376-916C	24X16	1	0	432	6765.01
4376-918C	24X18	1	0	432	7425.47
4376-920C	24X20	1	0	432	10574.59

CPVC Blast Gate

Belled End

43BG-060C	6	1	0	432	468.65
43BG-080C	8	1	2	432	559.58
43BG-100C	10	1	0	432	671.22
43BG-120C	12	1	0	432	732.39
43BG-140C	14	1	2	432	950.04
43BG-160C	16	1	0	432	1124.94
43BG-180C	18	1	0	432	1375.23
43BG-200C	20	1	0	432	2145.35
43BG-240C	24	1	0	432	2223.07

CPVC Butterfly Damper

Belled Socket

43BD-060C	6	1	2	432	402.41
43BD-080C	8	1	0	432	482.60
43BD-100C	10	1	0	432	623.07
43BD-120C	12	1	4	432	733.56
43BD-140C	14	1	0	432	859.78
43BD-160C	16	1	0	432	1022.75
43BD-180C	18	1	2	432	1209.38
43BD-200C	20	1	0	432	1444.63
43BD-240C	24	1	0	432	2015.14

PVC & CPVC Duct Hangers

Part Number	Size	Std Pk	Mstr Ctn	Prod Code	MSRP
PVC Duct Hangers					
43DH-060	6	1	0	430	124.52
43DH-080	8	1	0	430	132.91
43DH-100	10	1	0	430	145.09
43DH-120	12	1	0	430	153.24
43DH-140	14	1	0	430	165.32
43DH-160	16	1	0	430	183.15
43DH-180	18	1	0	430	217.23
43DH-200	20	1	0	430	271.74
43DH-240	24	1	0	430	317.46

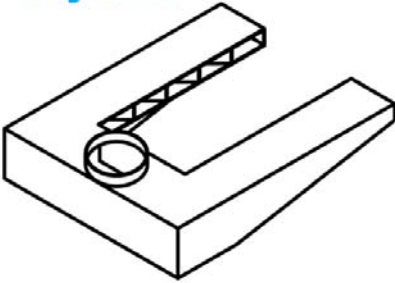
CPVC Duct Hangers

43DH-060C	6	1	0	432	206.71
43DH-080C	8	1	0	432	226.01
43DH-100C	10	1	0	432	260.57
43DH-120C	12	1	0	432	283.86
43DH-140C	14	1	0	432	300.93
43DH-160C	16	1	0	432	334.40
43DH-180C	18	1	0	432	379.95
43DH-200C	20	1	0	432	462.56
43DH-240C	24	1	0	432	616.45

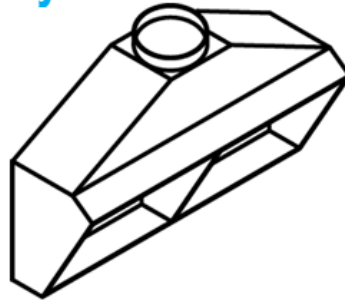


PVC, CPVC & Polypropylene Custom Fabricated Duct Hoods

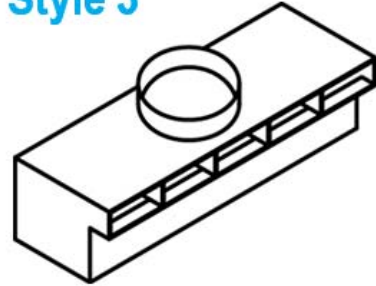
Style 1



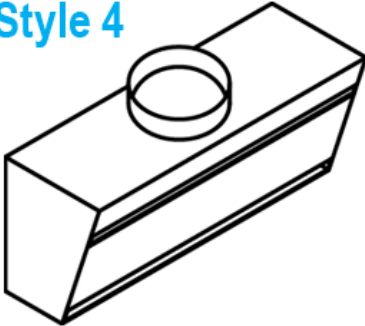
Style 2



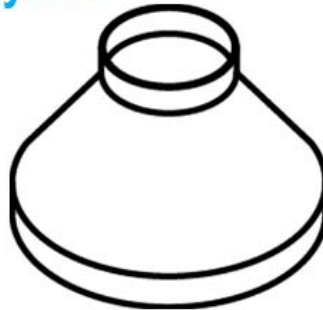
Style 3



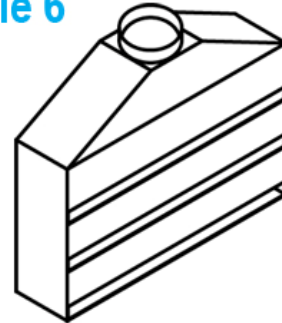
Style 4



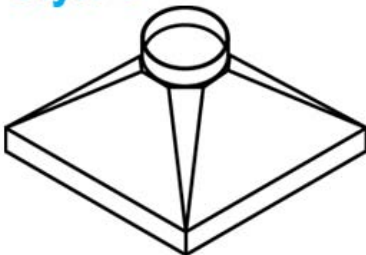
Style 5



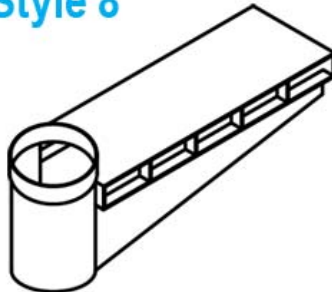
Style 6



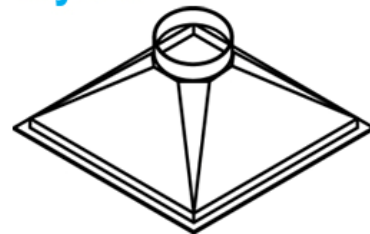
Style 7



Style 8



Style 9



Square to round transition
(Flanged or socket type)