

HORIZONTAL LEG TANKS

RICKUP TRUCK TANKS

PCO TANKS

VERTICAL STORAGE TANKS

ELLIPTICAL LEG TANKS



Liquid Storage Tanks

**P**  
**LASCO**

**Welding &  
Fabrication Inc.**

**4268 DUNDAS ST  
THORNDALE, ON N0M 2P0  
1.888.475.2726  
WWW.PLASCOWELDING.COM**

## Vertical Storage Tanks

Vertical storage tanks are most frequently used for bulk storage and mobile nursing applications.

Vertical tanks feature tie-down slots, built-in graduated gallon indicators, an offset fill-opening and a self-vented, slosh-proof lid.



Gallon Capacity	Diameter	Overall Height	Fill Opening	Outlet/Drain Specification	Premium Weight Part No. White	Heavy Weight Part No. Blue
25 α	18"	29"	5"	¾"	41867	—
50 α	18"	53"	5"	¾"	41865	—
65 α	23"	43"	8"	1¼"	45192	—
75 α	23"	49"	8"	1¼"	41863	—
100 α	28"	43"	8"	1¼"	41861	—
105 α	23"	63"	8"	2"	40803	—
150	30"	56"	8"	1¼"	41859	—
165	31"	56"	16"	2"	40281	—
200	30"	72"	8"	2"	41856	—
210	32"	67"	16"	2"	47401	—
250	30"	89"	8"	2"	41854	—
300	36"	79"	16"	2"	40213	—
305	46"	50"	16"	2"	40302	—
500	48"	73"	16"	2"	40148	40150
550	67"	44"	16"	2"	40023	—
750	48"	103"	16"	2"	40606	—
850	48"	118"	16"	2"	42214	—
1000	64"	80"	16"	2"	40152	40154
1100	87"	53"	16"	2"	40070	40081
1100 G	87"	53"	16"	2"	42591	42593
1500	64"	116"	16"	2"	40144	40146
1550	87"	67"	16"	2"	40235	40236
1550 G	87"	67"	16"	2"	42595	42597
1700	87"	74"	16"	2"	40010	40012
2000	64"	152"	16"	2"	47109	47564
2100	87"	89"	16"	2"	40178	40241
2100	102"	69"	16"	2"	41399	—
2500	95"	91"	16"	2"	40051	40052
2500	102"	79"	22"	2"	42382	42384
3000	91"	119"	16"	2"	45081	—
3000	95"	109"	16"	2"	40754	40755
3000	102"	93"	16"	2"	45246	42380
3000	102"	93"	22"	2"	43136	43138
4000	102"	125"	16"	3½"	40312	—
4200	102"	131"	16"	3½"	41403	—
5000	102"	152"	16"	3½"	40164	40166
5500	138"	92"	16"	3½"	45086	—
6000	102"	182"	16"	3½"	40226	40233
6100	119"	140"	16"	3½"	40659	40661
6500	119"	150"	16"	3½"	40224	40232
6500	120"	147"	16"	3½"	42315	42317
7800	119"	176"	16"	3½"	40663	40665
8400	119"	188"	16"	3½"	42060	42062
9000	141"	146"	16"	3½"	40543	40231
10000	141"	160"	16"	3½"	40545	40353
10000	141"	160"	22"	3½"	43128	43130
12000	141"	193"	16"	3"	40539	40541
15000	141"	244"	16"	3"	41334	41336



325 Gallon Horizontal Leg Tank

1025 Gallon Horizontal Leg Tank

## Horizontal Leg Tanks

With the broadest leg tank line available, we manufacture a size that will fit your needs. Used primarily for transport and nursing applications, the leg tanks feature molded-in legs that act as “baffles” to reduce sloshing. Please refer to page 4 for support bands.

Gallon Capacity	Diameter	Overall Height	Length	Fill Opening	Outlet/Drain Specification	No. of Bands	Premium Weight Part No. White	Heavy Weight Part No. Blue
35 α	20"	23"	29"	5"	3/4"	2 optional	45223	—
55 α	23"	26"	34"	5"	3/4"	2 optional	41873	—
65 α	23"	26"	43"	5"	3/4"	2 optional	45191	—
125	32"	35"	41"	8"	2"	2 optional	40298	—
225	38"	41"	49"	8"	2"	2 optional	40299	—
225 Stand	38" W	41"	45"	—	—	—	42854	—
325	38"	43"	68"	16"	2"	2 optional	40217	—
330	38"	40"	74"	5"	2"	2 optional	42923	—
425	49"	54"	60"	16"	2"	2 optional	42016	—
525	49"	54"	71"	16"	2"	2 optional	40181	40193
725 *	49"	54"	101"	16"	2"	3 required	40180	40194
925 *	62"	65"	80"	16"	2"	2 required	45209	—
925 * with sump	62"	69"	80"	16"	2"	2 required	45210	—
1025 *	49"	54"	139"	16"	2"	4 required	40089	40131
1325 *	66"	70"	99"	16"	2"	3 required	41875	41877
1625 *	63"	68"	139"	16"	2"	4 required	40026	40133
1800 * 2CPT	62"	68"	146"	16"	2"	4 required	42990	—
1800 * with sump, 2CPT	62"	72"	146"	16"	2"	4 required	42992	—
5025 *	92"	96"	190"	16" **	3"/2"	5 required	41879	41881

α May ship UPS    \*Require full length support and bands    \*\*16" hinged lid

## Elliptical Leg Tanks

This elliptical tank style is designed to provide the greatest capacity with the lowest center of gravity, making it the best design available for transporting larger volumes. The elliptical tanks feature molded-in legs that act as “baffles” to reduce sloshing and provide increased stability during transport. The elliptical leg tanks require full length bottom support as well as support bands. Please refer to page 4 for support bands. The 1600 flat bottom requires full length bottom support but does not require bands.



2035 Gallon Elliptical Leg Tank

Gallon Capacity	Width	Overall Height	Length	Fill Opening	Outlet/Drain Specification	Premium Weight Part No. White	Heavy Weight Part No. Blue
335	48"	33"	71"	16"	2"	42339	—
535	57"	39"	80"	16"	2"	42353	—
1035	79"	54"	89"	16"	2"	40191	—
1235	66"	53"	128"	16"	2"	40239	—
1335	66"	55"	126"	16"	2"	42927	42929
1600 flat bottom	80"	53"	126"	16"	2"	43143	43167
1635	71"	58"	142"	16"	2"	40387	40388
2035	84"	56"	142"	16"	2"	40618	40623
2635	90"	72"	140"	16"	3"/2"	40547	40283
3135	88"	80"	150"	16"	3"/2"	40686	40688
4035	92"	75"	192"	16" **	3"/2"	41267	41269

## Drainable Leg Tanks

When complete drainage is necessary, these are the tanks of choice. They are designed primarily for use on fertilizer and chemical nurse trailers. All the drainable tanks require full length bottom support as well as support bands. Please refer below for support bands.



1010 Gallon Drainable Leg Tank

Gallon Capacity	Width	Overall Height	Length	Fill Opening	Outlet/Drain Specification	No. of Bands	Premium Weight Part No. White	Heavy Weight Part No. Blue
710 (horizontal)	47"	57"	104"	16"	2"	3 required	40655	40657
1010 (horizontal)	47"	58"	140"	16"	2"	4 required	40393	40395
1310 (horizontal)	66"	75"	99"	16"	—	3 required	41871	41872
1315 (elliptical)	66"	60"	126"	16"	—	3 required	42925	42926
1610 (elliptical)	69"	63"	140"	16"	—	4 required	40806	40808
2610 (elliptical)	90"	79"	140"	16"*	—	4 required	41382	41383
3210 (elliptical)	92"	75"	178"	16"*	—	4 required	40822	40824

\*16" hinged lid

## Steel Supports and Accessories for Leg Tanks

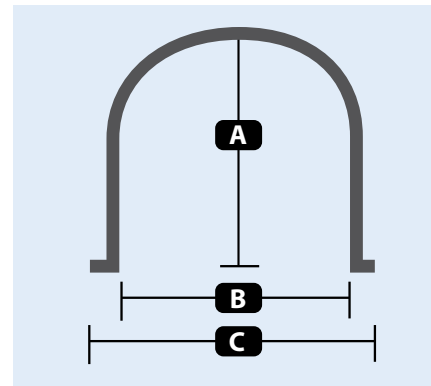
The bands are custom fabricated to support the tanks and are galvanized or powder coated for added corrosion protection. Whether using the tank in a stationary position or for transport, bands are necessary to ensure that the tank retains its shape and integrity.

### Elliptical Leg Tank Bands

Tank Size (Gallon)	A	B	C	No. of Bands	Part No.
335	29"	46½"	52½"	2 required	63546
535	35"	55½"	61½"	2 required	63547
1035	47¼"	77"	83"	3 required	60325
1235	47¾"	64¾"	70¾"	4 required	60477
1335	53"	65"	71"	3 required	63642
1635	51"	68"	74"	4 required	60586
2035	51¼"	81½"	86¾"	4 required	62079
2635	65¼"	87½"	94"	4 required	60353
3135 *	75¼"	85½"	92"	4 required	62097
3135 **	74¼"	85½"	92"	4 required	63620
4035	70¼"	89½"	96"	4 required	62832

\* For tanks manufactured in CA, MN, OK, TX, UT

\*\* For tanks manufactured in GA, OH



### Horizontal Leg Tank Bands

Tank Size (Gallon)	A	B	C	No. of Bands	Part No.
35 ☒	18½"	18½"	21⅞"	2 optional	60520
55 ☒	22"	22"	26½"	2 optional	61745
65 ☒	22"	22"	26½"	2 optional	61745
125 ☒	30¾"	30½"	35"	2 optional	61744
225 ☒	36½"	36"	42"	2 optional	60478
325 ☒	36½"	36"	42"	2 optional	60478
330 ☒	36½"	36"	42"	2 optional	60478
425	47¾"	46¼"	52¼"	2 optional	60057
525	47¾"	46¼"	52¼"	2 optional	60057
725	47¾"	46¼"	52¼"	3 required	60057
925	61"	60"	66"	2 required	62852
1025	47¾"	46¼"	52¼"	4 required	60057
1325	64"	64"	70"	3 required	63282
1625	61"	60¾"	67¼"	4 required	60079
1800 ∞	61"	60"	66"	4 required	62852
5025	89¾"	89½"	93⅞"	5 required	63284

### Drainable Leg Tank Bands

Tank Size (Gallon)	A	B	C	No. of Bands	Part No.
710 ☒	46¼"	45"	51"	3 required	60584 short
1010 ☒*	46¼"	45"	51"	2 required	60584 short
1010 ☒*	48"	45"	51"	2 required	60585 long
1310	64"	64"	70"	3 required	63282
1315	50"	64"	70"	3 required	63642
1610	49"	66"	72"	4 required	62434
2610 *	58"	87½"	91⅞"	2 required	63044 short
2610 *	62"	87½"	91⅞"	2 required	63045 long
3210 *	56"	89½"	92¾"	2 required	62347 short
3210 *	60"	89½"	92¾"	2 required	62348 long

☒ May ship UPS \* 2 short and 2 long bands are required for 1 tank

### Ladders (Galvanized)

Description	Tank Size (Gallon)	Part No.
Ladder (optional)	2635 & 3135	60354
Ladder (optional)	2610 & 3210	63047
Ladder (optional)	4035	63033
Adaptor kit for ladder †	3135	62301



### Pickup Truck Tanks

Designed to fit full-size, American made pickups, the 325 and 425 sizes have low profiles for better rear vision. They feature fill openings offset to the side of the tank for safety and easy access. A tough circular design adds strength. The 210 gallon tank fits both "mini" pickups and full-size models. Depending on which way the tank is turned, the bottom width can be either 39" or 48".

Gallon Capacity	Top Width or Diameter	Bottom Width or Diameter	Overall Height	Fill Opening	Outlet/Drain Specification	Premium Weight Part No. White
210	60"/51"	48"/39"	29"	8"	2"	40300
325	62"	49"	33"	8"	2"	40160
425	65"	49"	39"	8"	2"	40102



### Flat Bottom Utility Tanks

Like the PCO tank, the Flat Bottom Utility tank can be used for many applications. It is the perfect choice when looking for a tank to put in the bed of a pickup truck. The tank may be used with or without bands.

Gallon Capacity	Width	Overall Height	Length	Fill Opening	Outlet/Drain Specification	Premium Weight Part No. White
50 $\alpha$	19"	23"	38"	8"	1"	42341
100 $\alpha$	27"	29"	43"	8"	1"	42343
110 <small>low profile</small>	35"	18"	48"	5"	1"	42349
150	36"	29"	48"	8"	1"	42345
200	36"	38"	48"	8"	1"	42347

$\alpha$  May ship UPS



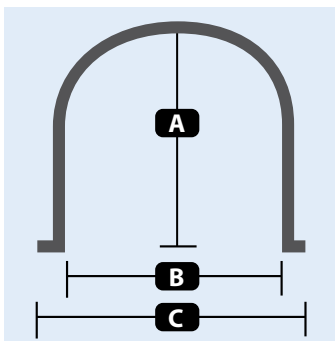
Smooth Wall PCO

### PCO Tanks

A multi-purpose tank, the PCO is well suited for nursery, agricultural and lawn care applications. These tanks feature self-supporting legs and do not require any saddles or steel supports. Flat spots are molded into both ends to provide mounting areas for agitation equipment.

Gallon Capacity	Width	Overall Height	Length	Fill Opening	Premium Weight Part No. White
<b>SMOOTH WALL</b>					
30 $\alpha$	19"	23"	25"	5"	41254
50 $\alpha$	19"	22"	38"	8"	40664
100 $\alpha$	30"	28"	38"	8"	40668
150	36"	28"	48"	8"	40669
200	36"	37"	48"	8"	41413
300	36"	37"	69"	16"	41381
<b>RIBBED</b>					
50 $\alpha$	19"	23"	38"	8"	42834
100	30"	30"	38"	8"	42835
150	37"	29"	48"	16"	42836
200	37"	37"	48"	16"	42837

$\alpha$  May ship UPS



### Flat Bottom Utility Tank Bands

Tank Size (Gallon)	A	B	C	No. of Bands	Part No.
50 $\alpha$	19"	18½"	23"	2 optional	63551
100 $\alpha$	24"	25"	29½"	2 optional	63552
150 $\alpha$	24"	34½"	39"	2 optional	63553
200 $\alpha$	33"	34½"	39"	2 optional	63554



### Mini Bulk Tanks

The mini bulk tanks are most frequently used for chemical dispensing. The tanks can be mounted on forklift accessible pads for ease of movement. A 2" polypropylene fitting is installed directly across from the fill-opening.

Gallon Capacity	Diameter	Overall Height	Fill Opening	Outlet/ Drain Specification	Premium Weight Part No. White
120	38"	31"	5"	2"	40318
220	42"	44"	5"	2"	40320



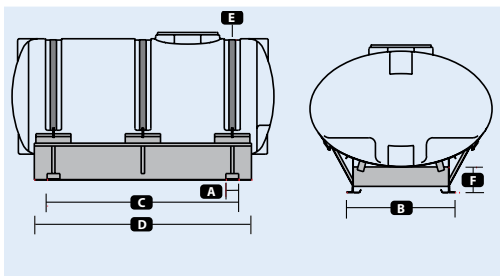
750 Gallon Elliptical Tank

### Elliptical Tanks

Designed for larger volume applicator needs, the elliptical tanks feature a low profile design and a low center of gravity for excellent visibility in the field and increased stability when towed. A deep sump permits complete drainage and the tanks feature an 8" or 16" fill-opening. Please refer to information below for steel supports.

Gallon Capacity	Width	Overall Height Including Sump	Length	Sump Depth	Fill Opening	Outlet/Drain Specification	Premium Weight Part No. White	
200	40"	30"	66"	3/4"	8"	1 1/4" & 1 1/4"	41252	Skid not included with tank. See below for skids.
300	48"	36"	70"	3"	16"	1 1/4" & 1 1/4"	40327	
500	57"	44"	82"	5"	16"	1 1/4" & 1 1/4"	40328	
750	69"	48"	88"	3"	16"	2"	40329	
1000	78"	55"	90"	3"	16"	2"	40330	
1600 *	78"	54"	138"	2 1/2"	16"	2"	47111	
2550 **	88"	82"	142"	9"	16"	3"	47677	

\* Includes 1 stainless steel baffle \*\* The 2550 requires support bands



### Elliptical Tank Skids

(See dimensional drawings at left.)  
(Skids come with bands and bolts.)

Tank Size (Gallon)	Tank Part No.	A	B	C	D	E	F	Part No.
200	41252	4"	24"	52"	57"	2" x 68"	8"	63015
300	40327	4"	34"	46 1/4"	54 1/4"	2" x 76"	8"	63016
500	40328	4"	34"	60"	68"	2" x 96"	8"	63018
750	40329	4"	38"	69 1/2"	78"	2" x 112"	8"	60371
1000	40330	4"	46"	60"	72"	2" x 130"	8"	60372
2550*	47677	—	—	—	—	—	—	67456

## Applicator, Inductor, Total Drain and Spot Sprayer Tanks

Whether you're looking for a new or replacement tank, you'll find it in this line. All the applicator tanks feature a lid which threads directly into the fill-opening of the tank to prevent the sloshing or leaking of tank contents during transport or application. The inductor tanks are suitable for mixing chemicals when filling a tank. The spot sprayers feature threaded inserts on the bottom of the tank for mounting purposes, on one side for wand/gun placement and on the top for a 12 volt pump. Please refer to page 8 for steel supports.



150 Gallon x 32" Applicator Tank



200 Gallon by 32" Applicator Tank



15 Gallon (24"D) Inductor Tank in Stand  
(Stand not included with tank. See page 9 for stands.)



5 Gallon Total Drain Tank



14 and 25 Gallon Spot Sprayer Tank

### Applicator Tanks

Gallon Capacity	Diameter	Overall Height	Length	Fill Opening	Outlet/Drain Specification	Premium Weight Part No. White
20 □	15"	18"	31"	5"	3/4"	61737
30 □	23"	26"	21"	5"	3/4"	41799
55 □	23"	27"	34"	5"	3/4"	45193
85 □	23"	26"	52"	5"	3/4"	45105
100 □	24"	28"	57"	8"	3/4"	60204
110 □	30"	34"	41"	8"	1 1/4" & 1 1/4"	45053
150	30"	33"	58"	8"	1 1/4" & 1 1/4"	40648
150	32"	35"	46"	8"	1 1/4" & 1 1/4"	45117
200	32"	35"	62"	8"	1 1/4" & 1 1/4"	45059
200	38"	42"	47"	8"	1 1/4" & 1 1/4"	45061
300	38"	41"	68"	8"	1 1/4" & 1 1/4"	40135
400	42"	45"	74"	8"	1 1/4" & 1 1/4"	40137
500	48"	51"	75"	8"	1 1/4" & 1 1/4"	40274
150 Slim Line	28"	41"	50"	8"	1 1/4" & 1 1/4"	40777
200 Slim Line	24"	48"	61"	8"	1 1/4" & 1 1/4"	41305
200 Slim Line	31"	46"	48"	8"	1 1/4" & 1 1/4"	40780

□ May ship UPS

### Inductor Tanks

Gallon Capacity	Diameter	Overall Height	Fill Opening	Outlet/Drain Specification	Premium Weight Part No. White
15 □	19"	23"	8"	2"	60214
15 □	24"	21"	16"	2"	42064
30 □	24"	28"	16"	2"	42065
35 □	23"	29"	8"	2"	45098
60 □	31"	32"	16"	2"	62205
60	24"	42"	16"	2"	42066
80	32"	37"	16"	2"	47190

□ May ship UPS

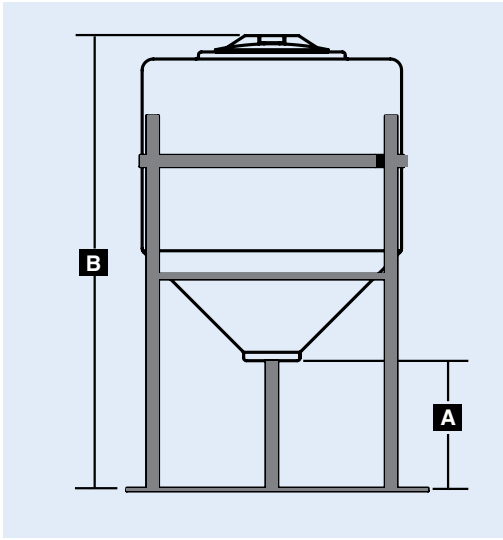
### Total Drain Tanks

Gallon Capacity	Width	Overall Height	Length	Fill Opening	Outlet/Drain Specification	Premium Weight Part No. White
5 square □	11"	18"	11"	8"	1 1/4"	42321
10 square □	13"	21"	13"	8"	1 1/4"	42351
12 □	14"	15"	18"	5"	3/4"	60521

□ May ship UPS

### Spot Sprayer Tanks

Gallon Capacity	Width	Overall Height	Length	Fill Opening	Outlet/Drain Specification	Premium Weight Part No. White
14 □	14"	15"	31"	5"	—	45115
25 □	18"	18"	36"	5"	—	62080



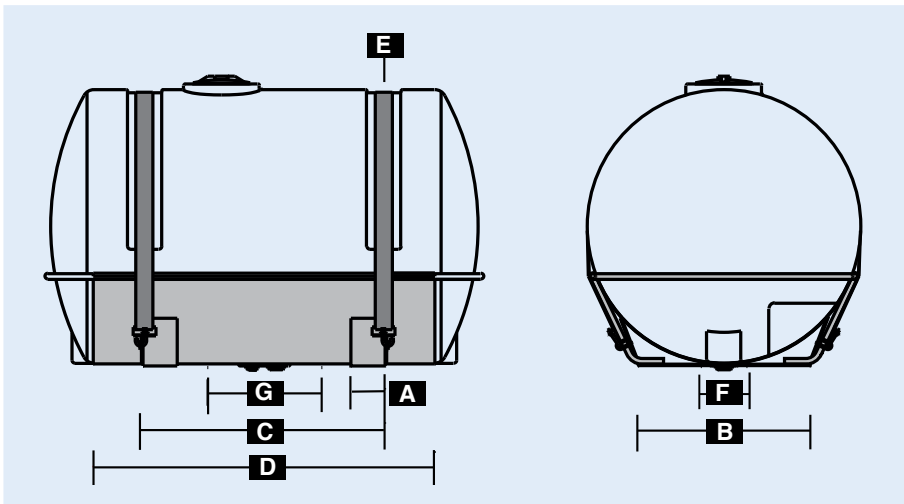
## Inductor Stands and Applicator Saddle Assemblies

Designed to provide necessary support for the applicator/inductor tank during use. The saddles include polyester straps, buckles and bolts to secure tanks, and inductor stands are supplied with all necessary hardware.

### Inductor Tank Stands (See dimensional drawing at left.)

Tank Size (Gallon)	Tank Part No.	A	B	Part No.
15 × 19"D ☐	60214	15½"	38"	60313
15 × 24"D ☐	42064	13½"	36"	63397
30 × 24"D ☐	42065	13½"	43"	63397
35 × 23"D ☐	45098	15"	44"	65517
60 × 31"D ☐	62205	14½"	47"	62204
60 × 24"D ☐	42066	13¼"	56"	63397

☐ May ship UPS



Replacement bands and hardware are available. Please contact Plasco Customer Service for details.

### Applicator Tank Saddle Assemblies (See dimensional drawings above.)

Tank Size (Gallon)	Tank Part No.	A	B	C	D	E	F	G	Part No.
30 ☐	41799	3"	19"	13½"	13½"	2" x 54"	8"	7¾"	60321
55 ☐	45193	6"	18⅞"	24"	24"	2" x 48"	—	12"	60303
85 ☐	45105	6"	18⅞"	24"	24"	2" x 48"	—	12"	60303
110 ☐	45053	12"	23¾"	28¾"	34¾"	2" x 72"	—	10¾"	60315
150-30" ☐	40648	12"	23¾"	28¾"	34¾"	2" x 72"	—	10¾"	60315
150-32" ☐	45117	12"	23¾"	28¾"	34¾"	2" x 72"	—	10¾"	60315
200-32"	45059	6"	24⅞"	36"	60"	2" x 96"	8"	13¼"	63019
200-38"	45061	6"	24¾"	34"	42"	2" x 96"	—	13¼"	63020
300-38"	40135	6"	24¾"	34"	60"	3" x 96"	8"	12"	63021
400-42"	40137	6"	30⅞"	42½"	60"	3" x 96"	8"	12"	63022
500-48"	40274	6"	30⅞"	42½"	60"	3" x 132"	8"	12"	63023





### Black or Dark Green Water Tanks

Our water tanks are manufactured using resins that meet FDA specifications to ensure safe storage of potable water. The black or green color limits light penetration, which reduces the growth of waterborne algae. These tanks are rated at 8 pounds per gallon, which means that they are for WATER STORAGE ONLY! They should not be used for chemicals, fertilizers or any other product. Where applicable, the tanks will carry the NSF approval. Please contact your distributor for more specific information regarding NSF approval.

Gallon Capacity	Diameter	Overall Height	Fill Opening	Bottom Fitting	Top Fitting
305	46"	50"	16"	2"	1½"
500	48"	73"	16"	2"	1½"
550	67"	44"	16"	2"	1½"
1000	64"	80"	16"	2"	1½"
1100	87"	53"	16"	2"	1½"
1350	71"	88"	16"	2"	1½"
1500	95"	58"	16"	2"	1½"
1550	87"	67"	16"	2"	1½"
2500	95"	91"	16"	2"	1½"
2500	102"	79"	16"	2"	1½"
2500	102"	79"	22"	2"	1½"
3000	95"	109"	16"	2"	1½"
3000	102"	93"	16"	2"	1½"
3000	102"	93"	22"	2"	1½"
5000	102"	152"	16"	2"	1½"
5000 Peanut Can	119"	112"	22"	2"	1½"
5000 Tuna Can	141"	86"	22"	2"	1½"
10,000 *	141"	160"	16"	2"	-
10,000 *	141"	160"	22"	2"	-

\*Includes one bottom fitting only.

### Specialty Water Tanks



Horizontal Box Tank

#### Horizontal Box Tank

The low profile design of this tank makes it ideal for use on trailers or in the back of a truck. The slosh reduction ribs provide excellent structural support. It can also be used as a stationary water storage tank.

Gallon Capacity	Width	Overall Height	Length	Fill Opening	Outlet/Drain Specification	Premium Weight Part No. White
2400	90"	53"	150"	16"	2"	40912



Low Profile Tank

#### Low Profile Tank

The low profile tanks may be used for storage or transport. They are an excellent choice when height limitations are a factor and are the perfect height for putting under your cottage or cabin.

Gallon Capacity	Width	Overall Height	Length	Fill Opening	Outlet/Drain Specification	Premium Weight Part No.
1250	81"	38"	130"	16"	2"	40756
1275	84"	36"	126"	16"	2"	43011
1500	81"	44"	130"	16"	2"	41392
1600	84"	42"	126"	16"	2"	43013

## Free Standing Water Tank

These tanks have been specifically designed with residential and commercial applications in mind. The dimensions of the 250, 300 or 400 gallon allow it to fit through a conventional doorway. The design of the freestanding/self-supporting tanks eliminate the need for a steel support frame.

## Free Standing Water Tank

Gallon Capacity	Width	Overall Height	Length	Fill Opening	Outlet/Drain Specification	Premium Weight Part No. White
250	29"	40"	62"	16"	1¼"	42337
300	29"	48"	62"	16"	1¼"	41869
400	30"	68"	63"	16"	1¼"	41247



300 and 400 Gallon Free Standing Tank

## Containment Basins/Tanks

Be kind to the environment and limit your liability by using a polyethylene containment tank. Federal, state and local agencies are enforcing stringent rules and regulations regarding spills, leaks and overflows from primary containment tanks. These spills can be hazardous and costly and with that in mind, we have designed our containment basins and tanks to meet your containment needs. Our containment basins and tanks are impact and corrosion resistant and are molded as a one-piece, seamless unit. The 140, 250, 360, 500, 600 and 1300 gallon sizes are "basin style"; the 1350 is an open top tank and the 2050 and 2800 "Tank In A Tank" is molded with a dome that can be cut off to enable it to be used as a containment tank. Required containment capacity may vary depending on application and location.



1300 Gallon Containment Basin



250 Gallon Containment Basin

Gallon Capacity	Width/Diameter	Overall Height	Length	Fill Opening	Outlet/Drain Specification	Premium Weight Part No.	Color
125 w/stand*	48" Diameter	60"	—	8"	1" SS Fitting	43161	White Tank / Black Stand
140	45"	17"	45"	—	—	42771	Black
250	68"	11"	92"	—	—	42114	Black
360	69"	16"	93"	—	—	42940	Black
500	80"	19"	92"	—	—	42051	Black
600	84"	20"	98"	—	—	43069	Black
1300	97"	22"	175"	—	—	42195	Black
1350	87" Diameter	53"	—	—	—	42052	White
2050 **	102" Diameter	82"	—	16"	—	43072	White
2800 **	102" Diameter	104"	—	16"	—	42222	White

\* Polyethylene stand

\*\* Tank In A Tank



500 Gallon Cone Bottom Tank with Polyethylene Stand

1600 Gallon Cone Bottom Tank with Polyethylene Stand

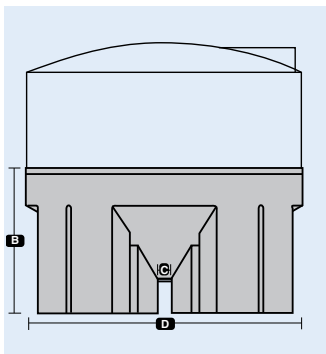
3000 Gallon Cone Bottom Tank with Heavy Duty Steel Stand

### Cone Bottom Tanks

We offer a full range of cone bottom tanks designed for a variety of applications. The conical bottoms enable quick and complete drainage. As with all the tanks, the cone bottom tanks are molded of rugged, high density polyethylene and are both impact and chemical resistant. Please refer below for polyethylene or steel stands.

Gallon Capacity	Diameter	Overall Height	Slope	Fill Opening	Outlet/Drain Specification	Premium Weight Part No. White	Heavy Weight Part No. Blue
175 w/stand*	43"	49"/9"†	30°	16"	2"	60113	—
300 w/stand*	49"	61"/9"†	30°	16"	2"	62343	—
310 w/stand*	43"	72"/9"†	30°	8"	2"	62441	—
500 w/stand*	49"	87"/9"†	30°	16"	2"	40289	—
750	72"	56"	20°	16"	2"	40811	—
750 w/stand*	73"	67"/11"†	20°	16"	2"	40809	—
1050	72"	75"	20°	16"	2"	40356	—
1050 w/stand*	73"	86"/11"†	20°	16"	2"	40359	—
1600	88"	84"	30°	16"	2"	40817	40819
1600 w/stand*	89"	96"/11"†	30°	16"	2"	40813	40815
2500	95"	105"	30°	16"	2"	40066	40129
2500 w/stand*	96"	116"/10"†	30°	16"	2"	40672	40674
2500 15° slope**	91"	108"	15°	16"	2"	43065	43067
3000	95"	123"	30°	16"	2"	40170	40172
3000 w/stand*	96"	134"/10"†	30°	16"	2"	40797	40799
3000 15° slope**	91"	120"	15°	16"	3"/2"	45141	—
4500	102"	145"	10°	16"	3"/2"	43058	43060
5500	119"	148"	30°	16"	3"/2"	40549	40316
6000	102"	195"	15°	16"	3"/2"	40931	40933
6000 10° slope	102"	189"	10°	16"	3"/2"	43054	43056
7500	141"	149"	30°	16"	3"/2"	40551	40409

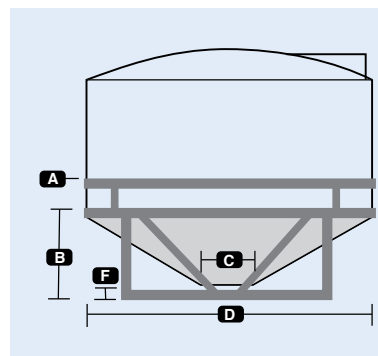
\* Polyethylene stand \*\* Stand not available for this tank † Distance from bottom of cone to ground



### Polyethylene Cone Bottom Stands

Maintenance free, light weight the polyethylene stands offer unequaled corrosion resistance.

Tank Size (Gallon)	A	B	C	D
175	—	31½"	8"	43"
300	—	32"	8"	49"
310	—	31½"	8"	43"
500	—	32"	8"	49"
750	—	34"	10"	73"
1050	—	34"	10"	73"
1600	—	46"	10"	89"
2500/3000 (30°)	—	47"	10"	96"



### Heavy Duty Steel Cone Bottom Stands

The heavy duty cone bottom stands are manufactured from structural steel and offer a full dish for uniform support. An optional top band is available for the 2500/3000 steel stand when additional support is needed.

Tank Size (Gallon)	A	B	C	D	F	Part No.
2500/3000 (30°)	—	36"	11"	96"	11"	60059
4500/6000 (10°)	—	20⅞"	12"	102"	12"	63675
5500	—	45"	11"	119"	12½"	60358
6000	—	25"	13"	102"	12⅞"	62473
7500	—	49"	11"	140"	10¾"	61860
2500/3000 (30°)	Optional Top Band Assembly	—	—	—	—	60359