



DAB Series Flanged Diaphragm Valves

1/2" TO 6" PVC AND 1/2" TO 4" CPVC

KEY FEATURES

- 1/2" to 6" PVC and 1/2" to 4" CPVC
- Position Indicator
- Sure-Grip Handwheel
- Choice of FPM, EPDM or PTFE Diaphragms*

OPTIONS

- Pneumatic or Electric Actuation to 4" **
- PVDF Vapor Barrier***

MATERIALS

- PVC Cell Class 12454 per ASTM D1784
- CPVC Cell Class 23447 per ASTM D1784
- PP per ASTM D4101
- PVDF
- FPM, EPDM and PTFE O-Ring Seals

* All PTFE diaphragms are EPDM backed
 ** Over 4" Actuation, Consult Factory
 *** PVDF Vapor Barrier available with EPDM and PTFE diaphragm only

TECHNICAL INFORMATION

EXPLODED VIEW



SELECTION CHART

SIZE	MATERIAL	END CONNECTION	DIAPHRAGM	PRESSURE RATING
1/2" - 4" (DN15 - DN100)	PVC	Flanged	FPM, EPDM, PTFE or PVDF Vapor Barrier	150 PSI @ 70°F Non-Shock
6" (DN150)				75 PSI @ 70°F Non-Shock
1/2" - 4" (DN15 - DN100)	CPVC			150 PSI @ 70°F Non-Shock

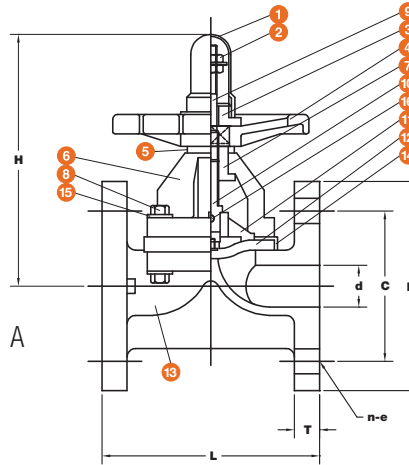
DAB Series Flanged Diaphragm Valves

1/2" TO 6" PVC AND 1/2" TO 4" CPVC

TECHNICAL INFORMATION, CONTINUED

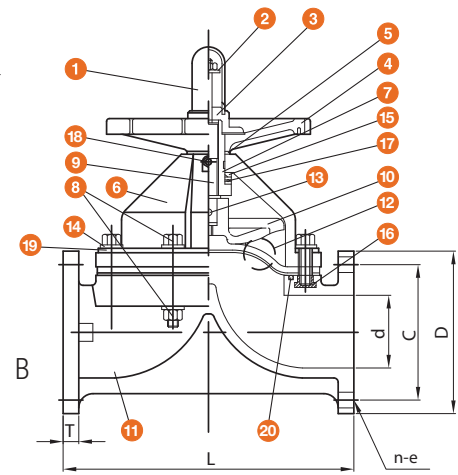
1/2" – 6" PARTS LIST (A)

- | | |
|------------------|---------------------------|
| 1. Gauge Cap | 10. Spindle |
| 2. Stopper Nut | 11. Compressor |
| 3. Lock Nut | 12. Diaphragm |
| 4. Hand Wheel | 13. Body |
| 5. Thrust Washer | 14. Diaphragm Cover Plate |
| 6. Bonnet | 15. Washer |
| 7. Sleeve | 16. Pin |
| 8. Bolt and Nut | |
| 9. Stem | |



1/2" – 4" PARTS LIST (B)

- | | |
|------------------|-------------------------|
| 1. Gauge Cap | 11. Body |
| 2. Stopper Nut | 12. Diaphragm |
| 3. Lock Nut | 13. Pin |
| 4. Hand Wheel | 14. Washer |
| 5. Thrust Washer | 15. PTFE Ring |
| 6. Bonnet | 16. Inserted Nut |
| 7. Sleeve | 17. Thrust Ball Bearing |
| 8. Bolt and Nut | 18. Grease Nipple |
| 9. Stem | 19. SUS Plate |
| 10. Compressor | 20. Body O-Ring |



DIMENSIONS – INCHES / MILLIMETERS

SIZE in / DN	C in / mm	d in / mm	D in / mm	H in / mm	L in / mm	T in / mm	n-e # x diameter
1/2 / 15	2.38 / 60	.63 / 16	3.50 / 89	3.78 / 96	4.33 / 110	.47 / 12	4-15.7
3/4 / 20	2.76 / 70	.79 / 20	3.86 / 98	3.94 / 100	4.72 / 120	.51 / 13	4-15.7
1 / 25	3.13 / 80	.98 / 25	4.25 / 108	4.25 / 108	5.12 / 130	.51 / 13	4-15.7
1-1/4 / 32	3.50 / 89	1.20 / 30	4.60 / 117	5.75 / 146	5.30 / 134	.60 / 15	4-15.7
1-1/2 / 40	3.88 / 99	1.61 / 41	5.00 / 127	7.76 / 197	7.09 / 180	.63 / 16	4-15.7
2 / 50	4.75 / 121	2.05 / 52	6.00 / 152	8.58 / 218	8.27 / 210	.79 / 20	4-19
2-1/2 / 63	5.50 / 140	2.64 / 67	7.00 / 178*	10.24 / 260	9.84 / 250	.91 / 23	4-19
3 / 80	6.00 / 152	3.07 / 78	7.50 / 191	10.63 / 270	11.02 / 280	.91 / 23	4-19
4 / 100	7.50 / 190	3.94 / 100	9.00 / 229	11.81 / 300	13.39 / 340	.94 / 24	8-19
6 / 150**	9.59 / 244	5.83 / 148	11.00 / 279	18.74 / 476	18.90 / 480	1.06 / 27	8-22

Dimensions are subject to change without notice – consult factory for installation information

* CPVC "D" dimension = 6.90 / 175

** 6" available in PVC only

Cv VALUES

SIZE in / DN	Cv VALUES GPM	SIZE in / DN	Cv VALUES GPM	SIZE in / DN	Cv VALUES GPM	SIZE in / DN	Cv VALUES GPM
1/2 / 15	5.0	1-1/4 / 30	18.0	2-1/2 / 63	80.0	6 / 150**	400.0
3/4 / 20	8.0	1-1/2 / 40	26.0	3 / 80	115.0		
1 / 25	10.0	2 / 50	56.0	4 / 100	190.0		



DAB Series Flanged Diaphragm Valves

1/2" TO 10" PP AND 1/2" TO 8" PVDF

KEY FEATURES

- 1/2" to 10" PP and 1/2" to 8" PVDF
- Position Indicator
- Sure-Grip Handwheel
- Choice of FPM, EPDM or PTFE Diaphragms*

OPTIONS

- Pneumatic or Electric Actuation to 4" **
- PVDF Vapor Barrier***

MATERIALS

- PP per ASTM D4101
- PVDF

* All PTFE diaphragms are EPDM backed
 ** Over 4" Actuation, Consult Factory
 *** PVDF Vapor Barrier available with EPDM and PTFE diaphragm only

TECHNICAL INFORMATION

EXPLODED VIEW



SELECTION CHART

SIZE	MATERIAL	END CONNECTION	DIAPHRAGM	PRESSURE RATING
1/2" – 4" (DN15 – DN100)	PP	Flanged	FPM, EPDM, PTFE or PVDF Vapor Barrier	150 PSI @ 70°F Non-Shock
6" – 10" (DN150 – DN250)				75 PSI @ 70°F Non-Shock
1/2" – 4" (DN15 – DN100)	PVDF		PTFE	150 PSI @ 70°F Non-Shock
6" – 8" (DN150 – DN200)				75 PSI @ 70°F Non-Shock

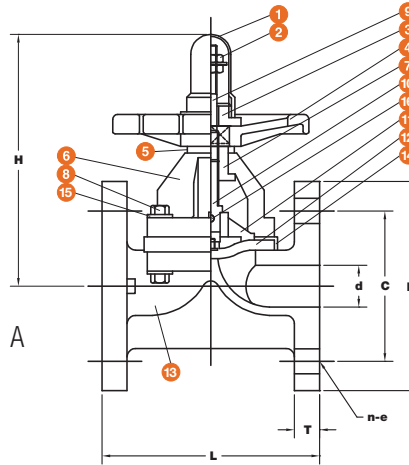
DAB Series Flanged Diaphragm Valves

1/2" TO 10" PP AND 1/2" TO 8" PVDF

TECHNICAL INFORMATION, CONTINUED

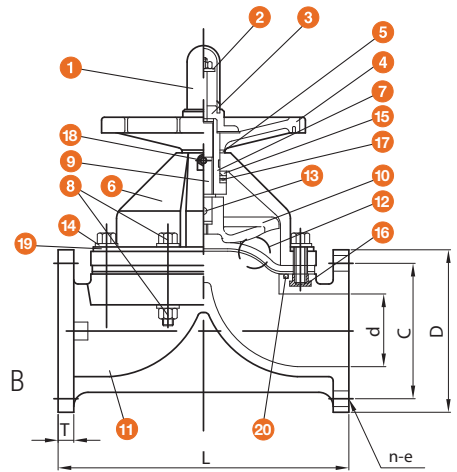
1/2" – 10" PARTS LIST (A)

- | | |
|------------------|---------------------------|
| 1. Gauge Cap | 10. Spindle |
| 2. Stopper Nut | 11. Compressor |
| 3. Lock Nut | 12. Diaphragm |
| 4. Hand Wheel | 13. Body |
| 5. Thrust Washer | 14. Diaphragm Cover Plate |
| 6. Bonnet | 15. Washer |
| 7. Sleeve | 16. Pin |
| 8. Bolt and Nut | |
| 9. Stem | |



1/2" – 8" PARTS LIST (B)

- | | |
|------------------|-------------------------|
| 1. Gauge Cap | 11. Body |
| 2. Stopper Nut | 12. Diaphragm |
| 3. Lock Nut | 13. Pin |
| 4. Hand Wheel | 14. Washer |
| 5. Thrust Washer | 15. PTFE Ring |
| 6. Bonnet | 16. Inserted Nut |
| 7. Sleeve | 17. Thrust Ball Bearing |
| 8. Bolt and Nut | 18. Grease Nipple |
| 9. Stem | 19. SUS Plate |
| 10. Compressor | 20. Body O-Ring |



DIMENSIONS – INCHES / MILLIMETERS

SIZE in / DN	C in / mm	d in / mm	D in / mm	H in / mm	L in / mm	T in / mm	n-e # x diameter
1/2 / 15	2.38 / 60	.63 / 16	3.50 / 89	3.78 / 96	4.33 / 110	.47 / 12	4-15.7
3/4 / 20	2.76 / 70	.79 / 20	3.86 / 98	3.94 / 100	4.72 / 120	.51 / 13	4-15.7
1 / 25	3.13 / 80	.98 / 25	4.25 / 108	4.25 / 108	5.20 / 132	.55 / 14	4-15.7
1-1/4 / 32	3.50 / 89	1.20 / 30	4.65 / 118	5.75 / 146	5.20 / 132	.55 / 14	4-15.7
1-1/2 / 40	3.85 / 98	1.60 / 41	5.00 / 127	7.76 / 197	7.09 / 180	.63 / 16	4-15.7
2 / 50	4.75 / 121	2.00 / 51	6.00 / 152	8.58 / 218	8.27 / 210	.70 / 18	4-19
2-1/2 / 63	5.50 / 140	2.55 / 65	6.90 / 175	10.24 / 260	9.88 / 251	.79 / 20	4-19
3 / 80	6.00 / 152	3.03 / 77	7.50 / 191	10.63 / 270	11.02 / 280	.83 / 21	4-19
4 / 100	7.50 / 191	3.94 / 100	9.00 / 229	11.81 / 300	13.50 / 343	.83 / 21	8-19
6 / 150	9.50 / 241	5.70 / 145	11.00 / 279	18.74 / 476	18.80 / 478	1.06 / 27	8-22
8 / 200	11.70 / 297	7.64 / 194	13.50 / 343	24.69 / 627	22.44 / 570	1.24 / 31	8-22
10 / 250*	14.25 / 362	9.72 / 247	16.00 / 406	17.55 / 699	26.70 / 678	1.46 / 37	12-25

Dimensions are subject to change without notice – consult factory for installation information

* 10" available in PP only

Cv VALUES

SIZE in / DN	Cv VALUES GPM	SIZE in / DN	Cv VALUES GPM	SIZE in / DN	Cv VALUES GPM	SIZE in / DN	Cv VALUES GPM
1/2 / 15	5.0	1-1/4 / 30	18.0	2-1/2 / 63	80.0	6 / 150**	400.0
3/4 / 20	8.0	1-1/2 / 40	26.0	3 / 80	115.0	8 / 200	700.0
1 / 25	10.0	2 / 50	56.0	4 / 100	190.0	10 / 250	1000.0



DAB Series True Union Diaphragm Valves

1/2" TO 2" PVC, CPVC, PP AND PVDF

KEY FEATURES

- PVC, CPVC, PP and PVDF
- Position Indicator
- Ergonomic Handwheel
- Choice of FPM, EPDM or PTFE Diaphragms*

OPTIONS

- Electric or Pneumatic Actuation
- PVDF Vapor Barrier**

MATERIALS

- PVC Cell Class 12454 per ASTM D1784
- CPVC Cell Class 23447 per ASTM D1784
- PP per ASTM D4101
- PVDF
- FPM, EPDM and PTFE O-Ring Seals

* All PTFE diaphragms are EPDM backed

** PVDF Vapor Barrier available with EPDM and PTFE diaphragm only

TECHNICAL INFORMATION

EXPLODED VIEW



SELECTION CHART

SIZE	MATERIAL	END CONNECTION	DIAPHRAGM	SEALS	PRESSURE RATING
1/2" - 2" (DN15 - DN50)	PVC or CPVC	Socket and Threaded	FPM, EPDM, PTFE or PVDF Vapor Barrier	FPM or EPDM	150 PSI @ 70°F Non-Shock
	PP or PVDF	Threaded			

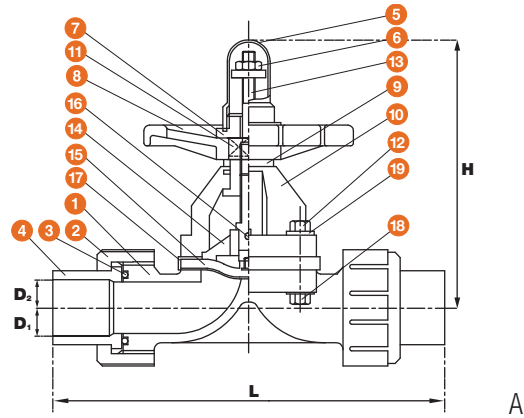
DAB Series True Union Diaphragm Valves

1/2" TO 2" PVC, CPVC, PP AND PVDF

TECHNICAL INFORMATION, CONTINUED

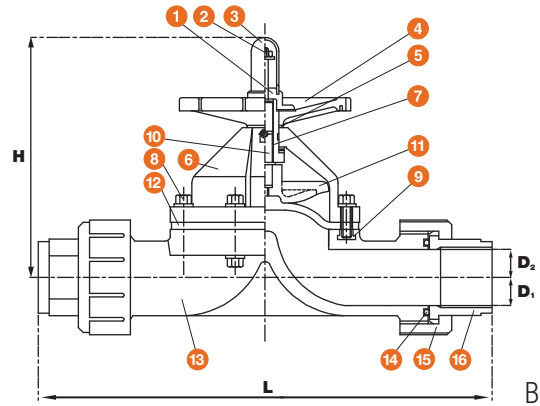
1/2" – 1" PARTS LIST (A)

- | | |
|--------------------|---------------------------|
| 1. Union Body | 11. Sleeve |
| 2. Union Gland Cap | 12. Nut |
| 3. Union O-Ring | 13. Stem |
| 4. Union Body Cap | 14. Compressor |
| 5. Gauge Cap | 15. Diaphragm |
| 6. Stopper Nut | 16. Pin |
| 7. Lock Nut | 17. Diaphragm Cover Plate |
| 8. Hand Wheel | 18. Bolt |
| 9. Thrust Washer | 19. Washer |
| 10. Bonnet | |



1-1/4" – 2" PARTS LIST (B)

- | | |
|------------------|---------------------|
| 1. Lock Nut | 11. Compressor |
| 2. Stopper Nut | 12. Diaphragm |
| 3. Gauge Cap | 13. Union Body |
| 4. Hand Wheel | 14. Union O-Ring |
| 5. Thrust Washer | 15. Union Gland Cap |
| 6. Bonnet | 16. Union Body Cap |
| 7. Stem | 17. Plate |
| 8. Bolt | 18. Washer |
| 9. Inserted Nut | |
| 10. Sleeve | |



DIMENSIONS – INCHES / MILLIMETERS

THREADED (PVC, CPVC, PP AND PVDF)				SOCKET (PVC, CPVC AND PP)				SOCKET (PVDF)			
SIZE	L	d2	H	SIZE	L	d1	H	SIZE	L	d1	H
in / DN	in / mm		in / mm	in / DN	in / mm	in / mm	in / mm	in / DN	in / mm	in / mm	in / mm
1/2 / 15	5.55 / 141	1/2-NPT	3.74 / 95	1/2 / 15	5.90 / 150	.85 / 22	3.74 / 95	1/2 / 15	5.90 / 150	.88 / 22	3.74 / 95
3/4 / 20	6.22 / 158	3/4-NPT	3.94 / 100	3/4 / 20	6.69 / 170	1.06 / 27	3.94 / 100	3/4 / 20	6.69 / 170	1.04 / 26	3.94 / 100
1 / 25	7.17 / 182	1-NPT	4.33 / 110	1 / 25	7.95 / 202	1.32 / 34	4.33 / 110	1 / 25	7.95 / 202	1.28 / 33	4.33 / 110
1-1/4 / 30	10.63 / 270	1-1/4-NPT	7.67 / 195	1-1/4 / 30	11.22 / 285	1.91 / 48	7.67 / 195	1-1/4 / 30	11.22 / 285	1.91 / 48	7.67 / 195
1-1/2 / 40	10.63 / 270	1-1/2-NPT	7.67 / 195	1-1/2 / 40	11.22 / 285	1.91 / 48	7.67 / 195	1-1/2 / 40	11.22 / 285	1.91 / 48	7.67 / 195
2 / 50	12.13 / 308	2-NPT	8.27 / 210	2 / 50	12.79 / 325	2.39 / 61	8.27 / 210	2 / 50	12.79 / 325	2.39 / 61	8.27 / 210

Dimensions are subject to change without notice – consult factory for installation information

Cv VALUES

SIZE	Cv VALUES	SIZE	Cv VALUES
in / DN	GPM	in / DN	GPM
1/2 / 15	5.0	1-1/4 / 30	18.0
3/4 / 20	8.0	1-1/2 / 40	26.0
1 / 25	10.0	2 / 50	56.0