

Low Extractable Product

Low-Extractable Piping For Ultra-Pure Water Systems

Low-Extractable Piping For Ultra-Pure Water Systems

PRODUCT

Low Extractable Product
Low-Extractable Piping For Ultra-Pure Water Systems

| Part Number | Size | Std Pk | Mstr Ctn | Prod Code | MSRP |
|-------------|------|--------|----------|-----------|------|
|-------------|------|--------|----------|-----------|------|

Pipe - Low Extractable PVC Schedule 80 Plain End

15' Lengths, Price Per Foot



| | | | | | |
|---------|-------|-----|---|-----|--------|
| LXT-002 | 1/4 | 750 | 0 | 064 | 7.42 |
| LXT-003 | 3/8 | 750 | 0 | 064 | 4.60 |
| LXT-005 | 1/2 | 630 | 0 | 064 | 5.61 |
| LXT-007 | 3/4 | 450 | 0 | 064 | 7.60 |
| LXT-010 | 1 | 450 | 0 | 064 | 11.20 |
| LXT-012 | 1-1/4 | 450 | 0 | 064 | 15.49 |
| LXT-015 | 1-1/2 | 240 | 0 | 064 | 18.75 |
| LXT-020 | 2 | 240 | 0 | 064 | 25.99 |
| LXT-030 | 3 | 60 | 0 | 064 | 53.03 |
| LXT-040 | 4 | 60 | 0 | 064 | 77.53 |
| LXT-060 | 6 | 15 | 0 | 064 | 179.75 |

See Spears® Low-Extractable Schedule 80 Pipe Chart for additional information.

True Union 2000 Industrial Ball Valves w/Handle Lockout & Safe-T-Block™ Design

EPDM O-ring



| | | | | | |
|------------|-------|---|----|-----|---------|
| 1829-005BL | 1/2 | 1 | 18 | 066 | 114.85 |
| 1829-007BL | 3/4 | 1 | 12 | 066 | 140.75 |
| 1829-010BL | 1 | 1 | 12 | 066 | 178.56 |
| 1829-012BL | 1-1/4 | 1 | 8 | 066 | 236.69 |
| 1829-015BL | 1-1/2 | 1 | 8 | 066 | 309.54 |
| 1829-020BL | 2 | 1 | 4 | 066 | 437.00 |
| 1822-030BL | 3 | 1 | 0 | 066 | 808.62 |
| 1822-040BL | 4 | 1 | 0 | 066 | 1367.03 |

True Union 2000 Industrial Ball Valves w/Handle Lockout & Safe-T-Block™ Design

FKM O-rings



| | | | | | |
|------------|-------|---|----|-----|---------|
| 1839-005BL | 1/2 | 1 | 18 | 066 | 134.13 |
| 1839-007BL | 3/4 | 1 | 12 | 066 | 158.66 |
| 1839-010BL | 1 | 1 | 12 | 066 | 214.95 |
| 1839-012BL | 1-1/4 | 1 | 8 | 066 | 299.88 |
| 1839-015BL | 1-1/2 | 1 | 8 | 066 | 392.73 |
| 1839-020BL | 2 | 1 | 4 | 066 | 514.05 |
| 1832-030BL | 3 | 1 | 0 | 066 | 999.04 |
| 1832-040BL | 4 | 1 | 0 | 066 | 1687.98 |

True Union 2000 Industrial T-Style Ball Valve

EPDM

Mainline Tee x Socket/Spigot



Safe-T-Block™ Design

| | | | | | |
|--------------|-------|---|---|-----|--------|
| 182901-005BL | 1/2 | 1 | 8 | 066 | 439.33 |
| 182901-007BL | 3/4 | 1 | 8 | 066 | 480.05 |
| 182901-010BL | 1 | 1 | 8 | 066 | 406.62 |
| 182901-012BL | 1-1/4 | 1 | 8 | 066 | 453.57 |
| 182901-015BL | 1-1/2 | 1 | 0 | 066 | 469.98 |
| 182901-020BL | 2 | 1 | 0 | 066 | 502.08 |

| Part Number | Size | Std Pk | Mstr Ctn | Prod Code | MSRP |
|-------------|------|--------|----------|-----------|------|
|-------------|------|--------|----------|-----------|------|

True Union 2000 Industrial T-Style Ball Valve (continued)

EPDM

Mainline Tee x Socket/Spigot

| | | | | | |
|--------------|-----------|---|---|-----|---------|
| 182901-101BL | 3/4X1/2 | 1 | 8 | 066 | 446.56 |
| 182901-130BL | 1X1/2 | 1 | 8 | 066 | 463.31 |
| 182901-131BL | 1X3/4 | 1 | 8 | 066 | 489.12 |
| 182901-166BL | 1-1/4X1/2 | 1 | 8 | 066 | 495.61 |
| 182901-167BL | 1-1/4X3/4 | 1 | 8 | 066 | 498.18 |
| 182901-168BL | 1-1/4X1 | 1 | 8 | 066 | 571.04 |
| 182901-209BL | 1-1/2X1/2 | 1 | 8 | 066 | 556.65 |
| 182901-210BL | 1-1/2X3/4 | 1 | 8 | 066 | 498.18 |
| 182901-211BL | 1-1/2X1 | 1 | 8 | 066 | 592.57 |
| 182901-247BL | 2X1/2 | 1 | 8 | 066 | 635.65 |
| 182901-248BL | 2X3/4 | 1 | 8 | 066 | 685.88 |
| 182901-249BL | 2X1 | 1 | 8 | 066 | 721.86 |
| 182901-251BL | 2X1-1/2 | 1 | 0 | 066 | 748.36 |
| 182901-333BL | 3X1/2 | 1 | 0 | 066 | 836.81 |
| 182901-335BL | 3X1 | 1 | 0 | 066 | 1041.93 |
| 182901-337BL | 3X1-1/2 | 1 | 0 | 066 | 998.38 |
| 182901-338BL | 3X2 | 1 | 0 | 066 | 1095.39 |
| 182901-417BL | 4X1 | 1 | 0 | 066 | 1077.42 |
| 182901-419BL | 4X1-1/2 | 1 | 0 | 066 | 1199.54 |
| 182901-420BL | 4X2 | 1 | 0 | 066 | 1429.35 |
| 182901-528BL | 6X2 | 1 | 0 | 066 | 1866.97 |
| 182901-578BL | 8X2 | 1 | 0 | 066 | 2754.60 |

Includes Plugged end with additional Socket and Threaded end connectors.

True Union 2000 Industrial T-Style Ball Valve

FKM

Mainline Tee x Socket/Fipt



Safe-T-Block™ Design

| | | | | | |
|--------------|-----------|---|----|-----|---------|
| 183901-005BL | 1/2 | 1 | 12 | 066 | 460.02 |
| 183901-007BL | 3/4 | 1 | 8 | 066 | 503.81 |
| 183901-010BL | 1 | 1 | 8 | 066 | 524.76 |
| 183901-015BL | 1-1/2 | 1 | 0 | 066 | 542.11 |
| 183901-020BL | 2 | 1 | 0 | 066 | 617.26 |
| 183901-101BL | 3/4X1/2 | 1 | 12 | 066 | 467.28 |
| 183901-130BL | 1X1/2 | 1 | 8 | 066 | 484.01 |
| 183901-131BL | 1X3/4 | 1 | 8 | 066 | 512.87 |
| 183901-166BL | 1-1/4X1/2 | 1 | 8 | 066 | 516.33 |
| 183901-167BL | 1-1/4X3/4 | 1 | 8 | 066 | 521.93 |
| 183901-168BL | 1-1/4X1 | 1 | 8 | 066 | 606.69 |
| 183901-209BL | 1-1/2X1/2 | 1 | 8 | 066 | 516.33 |
| 183901-210BL | 1-1/2X3/4 | 1 | 8 | 066 | 521.93 |
| 183901-211BL | 1-1/2X1 | 1 | 8 | 066 | 606.69 |
| 183901-247BL | 2X1/2 | 1 | 8 | 066 | 656.40 |
| 183901-248BL | 2X3/4 | 1 | 8 | 066 | 709.65 |
| 183901-249BL | 2X1 | 1 | 8 | 066 | 757.51 |
| 183901-251BL | 2X1-1/2 | 1 | 8 | 066 | 892.05 |
| 183901-333BL | 3X1/2 | 1 | 8 | 066 | 857.49 |
| 183901-335BL | 3X1 | 1 | 0 | 066 | 911.96 |
| 183901-337BL | 3X1-1/2 | 1 | 0 | 066 | 1042.89 |
| 183901-338BL | 3X2 | 1 | 0 | 066 | 1178.23 |
| 183901-417BL | 4X1 | 1 | 0 | 066 | 1113.07 |

Suitable for Oil-Free air handling to 25 psi, not for distribution of compressed air or gas

Low Extractable Product
Low-Extractable Piping For Ultra-Pure Water Systems

| Part Number | Size | Std Pk | Mstr Ctn | Prod Code | MSRP |
|-------------|------|--------|----------|-----------|------|
|-------------|------|--------|----------|-----------|------|

True Union 2000 Industrial T-Style Ball Valve (continued)

FKM

Mainline Tee x Socket/Fipt

| | | | | | |
|--------------|----------------|---|---|-----|---------|
| 183901-419BL | 4X1-1/2 | 1 | 0 | 066 | 1244.01 |
| 183901-420BL | 4X2 | 1 | 0 | 066 | 1512.25 |
| 183901-528BL | 6X2 | 1 | 0 | 066 | 1949.86 |
| 183901-578BL | 8X2 | 1 | 0 | 066 | 2837.46 |

Includes Plugged end with additional Socket and Threaded end connectors.



True Union 2000 Industrial Ball Check Valves

EPDM O-rings

| | | | | | |
|------------|--------------|---|----|-----|---------|
| 4529-005BL | 1/2 | 1 | 18 | 066 | 168.12 |
| 4529-007BL | 3/4 | 1 | 18 | 066 | 203.09 |
| 4529-010BL | 1 | 1 | 12 | 066 | 232.49 |
| 4529-012BL | 1-1/4 | 1 | 12 | 066 | 411.78 |
| 4529-015BL | 1-1/2 | 1 | 8 | 066 | 435.60 |
| 4529-020BL | 2 | 1 | 8 | 066 | 728.34 |
| 4522-030BL | 3 | 1 | 0 | 066 | 1022.48 |
| 4522-040BL | 4 | 1 | 0 | 066 | 1918.03 |

True Union 2000 Industrial Ball Check Valves

FKM O-rings

| | | | | | |
|------------|--------------|---|----|-----|---------|
| 4539-005BL | 1/2 | 1 | 18 | 066 | 186.31 |
| 4539-007BL | 3/4 | 1 | 18 | 066 | 224.09 |
| 4539-010BL | 1 | 1 | 12 | 066 | 252.38 |
| 4539-012BL | 1-1/4 | 1 | 12 | 066 | 427.18 |
| 4539-015BL | 1-1/2 | 1 | 8 | 066 | 462.44 |
| 4539-020BL | 2 | 1 | 8 | 066 | 756.36 |
| 4532-030BL | 3 | 1 | 0 | 066 | 1089.05 |
| 4532-040BL | 4 | 1 | 0 | 066 | 2020.83 |

Diaphragm Valves

EPDM O-ring Seals

EPDM Backed PTFE Diaphragm

| | | | | | |
|-------------|--------------|---|----|-----|--------|
| 2729T-005BL | 1/2 | 1 | 12 | 066 | 316.99 |
| 2729T-007BL | 3/4 | 1 | 8 | 066 | 340.57 |
| 2729T-010BL | 1 | 1 | 8 | 066 | 398.06 |
| 2729T-012BL | 1-1/4 | 1 | 4 | 066 | 538.13 |
| 2729T-015BL | 1-1/2 | 1 | 4 | 066 | 653.13 |
| 2729T-020BL | 2 | 1 | 0 | 066 | 858.07 |

Note: Both socket and threaded end connectors are provided with valve sizes 1/2"- 2" Diaphragm valves. Valves carry a maximum pressure rating of 150 psi for water, non-shock, @ 73°F (23°C).



T-style "Zero Dead Leg" Diaphragm Valve

Mainline Tee x Spigot

EPDM Backed PTFE Diaphragm

| | | | | | |
|---------------|------------|---|---|-----|--------|
| 2797TZD-005BL | 1/2 | 1 | 8 | 066 | 423.45 |
| 2797TZD-007BL | 3/4 | 1 | 8 | 066 | 452.15 |

| Part Number | Size | Std Pk | Mstr Ctn | Prod Code | MSRP |
|-------------|------|--------|----------|-----------|------|
|-------------|------|--------|----------|-----------|------|

T-style "Zero Dead Leg" Diaphragm Valve (continued)

Mainline Tee x Spigot

EPDM Backed PTFE Diaphragm

| | | | | | |
|---------------|------------------|---|---|-----|---------|
| 2797TZD-010BL | 1X1 | 1 | 4 | 066 | 655.04 |
| 2797TZD-015BL | 1-1/2 | 1 | 4 | 066 | 990.16 |
| 2797TZD-020BL | 2X2 | 1 | 0 | 066 | 1131.43 |
| 2797TZD-130BL | 1X1/2 | 1 | 8 | 066 | 425.96 |
| 2797TZD-131BL | 1X3/4 | 1 | 8 | 066 | 453.22 |
| 2797TZD-209BL | 1-1/2X1/2 | 1 | 4 | 066 | 431.79 |
| 2797TZD-210BL | 1-1/2X3/4 | 1 | 4 | 066 | 452.92 |
| 2797TZD-247BL | 2X1/2 | 1 | 8 | 066 | 458.79 |
| 2797TZD-249BL | 2X1 | 1 | 0 | 066 | 685.83 |
| 2797TZD-251BL | 2X1-1/2 | 1 | 4 | 066 | 980.38 |

Needle Valve

Globe Pattern - Fipt

| | | | | | |
|------------|------------|---|----|-----|--------|
| 5591-002BL | 1/4 | 1 | 18 | 066 | 153.32 |
| 5591-003BL | 3/8 | 1 | 18 | 066 | 153.32 |

Replaceable PTFE Stem Seal - no elastomer or lubricants used. Needle valves carry a maximum internal pressure rating of 235 psi at 73°F (23°C).



Needle Valve

Globe Pattern - Socket

| | | | | | |
|------------|------------|---|----|-----|--------|
| 5592-002BL | 1/4 | 1 | 18 | 066 | 153.32 |
| 5592-003BL | 3/8 | 1 | 18 | 066 | 153.32 |
| 5592-005BL | 1/2 | 1 | 18 | 066 | 159.55 |

Replaceable PTFE Stem Seal - no elastomer or lubricants used. Needle valves carry a maximum internal pressure rating of 235 psi at 73°F (23°C).



Needle Valve

Globe Pattern - SR Fipt

| | | | | | |
|--------------|------------|---|----|-----|--------|
| 5591-005BLSR | 1/2 | 1 | 18 | 066 | 162.76 |
|--------------|------------|---|----|-----|--------|

Replaceable PTFE Stem Seal - no elastomer or lubricants used. Needle valves carry a maximum internal pressure rating of 235 psi at 73°F (23°C).



Needle Valve

Angle Pattern - Fipt

| | | | | | |
|------------|------------|---|----|-----|--------|
| 5691-002BL | 1/4 | 1 | 18 | 066 | 153.32 |
| 5691-003BL | 3/8 | 1 | 18 | 066 | 153.32 |

Replaceable PTFE Stem Seal - no elastomer or lubricants used. Needle valves carry a maximum internal pressure rating of 235 psi at 73°F (23°C).



Needle Valve

Angle Pattern - Socket

| | | | | | |
|------------|------------|---|----|-----|--------|
| 5692-002BL | 1/4 | 1 | 18 | 066 | 153.32 |
|------------|------------|---|----|-----|--------|



Low Extractable Product
Low-Extractable Piping For Ultra-Pure Water Systems

| Part Number | Size | Std Pk | Mstr Ctn | Prod Code | MSRP |
|-------------|------|--------|----------|-----------|------|
|-------------|------|--------|----------|-----------|------|

Needle Valve (continued)

Angle Pattern - Socket

| | | | | | |
|------------|-----|---|----|-----|--------|
| 5692-003BL | 3/8 | 1 | 18 | 066 | 153.32 |
| 5692-005BL | 1/2 | 1 | 18 | 066 | 162.76 |

Replaceable PTFE Stem Seal - no elastomer or lubricants used. Needle valves carry a maximum internal pressure rating of 235 psi at 73°F (23°C).

Needle Valve

Angle Pattern - SR Fipt

| | | | | | |
|--------------|-----|---|----|-----|--------|
| 5691-005BLSR | 1/2 | 1 | 18 | 066 | 162.76 |
|--------------|-----|---|----|-----|--------|

Replaceable PTFE Stem Seal - no elastomer or lubricants used. Needle valves carry a maximum internal pressure rating of 235 psi at 73°F (23°C).

"No Gauge" designates Gauge Guard only, unfilled. Other units are pre-filled and factory assembled with gauge specified in Size column. Gauge Guards carry a maximum pressure rating to 235 psi @ 73°F (23°C) and full vacuum service on vacuum gauges. All inlet connections are Spears® patented Special Reinforced (SR) female plastic NPT thread.

Gauge Guards

PTFE Diaphragm 1/4" Inlet Connection

| | | | | | |
|-------------|------------|---|----|-----|--------|
| G0004-002BL | No Gauge | 1 | 18 | 623 | 174.17 |
| G30V4-002BL | 0-30 in-Hg | 1 | 18 | 623 | 269.39 |
| G0154-002BL | 0-15 psi | 1 | 18 | 623 | 254.59 |
| G0304-002BL | 0-30 psi | 1 | 18 | 623 | 254.59 |
| G0604-002BL | 0-60 psi | 1 | 18 | 623 | 254.59 |
| G1004-002BL | 0-100 psi | 1 | 18 | 623 | 254.59 |
| G1604-002BL | 0-160 psi | 1 | 18 | 623 | 254.59 |
| G2004-002BL | 0-200 psi | 1 | 18 | 623 | 254.59 |
| G3004-002BL | 0-300 psi | 1 | 18 | 623 | 254.59 |

Gauge Guards

PTFE Diaphragm 1/2" Inlet Connection

| | | | | | |
|-------------|------------|---|----|-----|--------|
| G0004-005BL | No Gauge | 1 | 18 | 623 | 174.17 |
| G30V4-005BL | 0-30 in-Hg | 1 | 18 | 623 | 269.39 |
| G0154-005BL | 0-15 psi | 1 | 18 | 623 | 254.59 |
| G0304-005BL | 0-30 psi | 1 | 18 | 623 | 254.59 |
| G0604-005BL | 0-60 psi | 1 | 18 | 623 | 254.59 |
| G1004-005BL | 0-100 psi | 1 | 18 | 623 | 254.59 |
| G1604-005BL | 0-160 psi | 1 | 18 | 623 | 254.59 |
| G2004-005BL | 0-200 psi | 1 | 18 | 623 | 254.59 |
| G3004-005BL | 0-300 psi | 1 | 18 | 623 | 254.59 |

Gauge Guards

FKM Diaphragm 1/4" Inlet Connection

| | | | | | |
|-------------|------------|---|----|-----|--------|
| G0003-002BL | No Gauge | 1 | 18 | 623 | 174.17 |
| G30V3-002BL | 0-30 in-Hg | 1 | 18 | 623 | 269.39 |

Suitable for Oil-Free air handling to 25 psi, not for distribution of compressed air or gas

| Part Number | Size | Std Pk | Mstr Ctn | Prod Code | MSRP |
|-------------|------|--------|----------|-----------|------|
|-------------|------|--------|----------|-----------|------|

Gauge Guards (continued)

FKM Diaphragm 1/4" Inlet Connection

| | | | | | |
|-------------|-----------|---|----|-----|--------|
| G0153-002BL | 0-15 psi | 1 | 18 | 623 | 254.59 |
| G0303-002BL | 0-30 psi | 1 | 18 | 623 | 254.59 |
| G0603-002BL | 0-60 psi | 1 | 18 | 623 | 254.59 |
| G1003-002BL | 0-100 psi | 1 | 18 | 623 | 254.59 |
| G1603-002BL | 0-160 psi | 1 | 18 | 623 | 254.59 |
| G2003-002BL | 0-200 psi | 1 | 18 | 623 | 254.59 |
| G3003-002BL | 0-300 psi | 1 | 18 | 623 | 254.59 |

Gauge Guards

FKM Diaphragm 1/2" Inlet Connection

| | | | | | |
|-------------|------------|---|----|-----|--------|
| G0003-005BL | No Gauge | 1 | 18 | 623 | 174.17 |
| G30V3-005BL | 0-30 in-Hg | 1 | 18 | 623 | 269.39 |
| G0153-005BL | 0-15 psi | 1 | 18 | 623 | 254.59 |
| G0303-005BL | 0-30 psi | 1 | 18 | 623 | 254.59 |
| G0603-005BL | 0-60 psi | 1 | 18 | 623 | 254.59 |
| G1003-005BL | 0-100 psi | 1 | 18 | 623 | 254.59 |
| G1603-005BL | 0-160 psi | 1 | 18 | 623 | 254.59 |
| G2003-005BL | 0-200 psi | 1 | 18 | 623 | 254.59 |
| G3003-005BL | 0-300 psi | 1 | 18 | 623 | 254.59 |

Gauge Guards

EPDM Diaphragm 1/4" Inlet Connection

| | | | | | |
|-------------|------------|---|----|-----|--------|
| G0002-002BL | No Gauge | 1 | 18 | 623 | 167.21 |
| G30V2-002BL | 0-30 in-Hg | 1 | 18 | 623 | 258.60 |
| G0152-002BL | 0-15 psi | 1 | 18 | 623 | 244.43 |
| G0302-002BL | 0-30 psi | 1 | 18 | 623 | 244.43 |
| G0602-002BL | 0-60 psi | 1 | 18 | 623 | 244.43 |
| G1002-002BL | 0-100 psi | 1 | 18 | 623 | 244.43 |
| G1602-002BL | 0-160 psi | 1 | 18 | 623 | 244.43 |
| G2002-002BL | 0-200 psi | 1 | 18 | 623 | 244.43 |
| G3002-002BL | 0-300 psi | 1 | 18 | 623 | 244.43 |

Gauge Guards

EPDM Diaphragm 1/2" Inlet Connection

| | | | | | |
|-------------|------------|---|----|-----|--------|
| G0002-005BL | No Gauge | 1 | 18 | 623 | 167.21 |
| G30V2-005BL | 0-30 in-Hg | 1 | 18 | 623 | 258.60 |
| G0152-005BL | 0-15 psi | 1 | 18 | 623 | 244.43 |
| G0302-005BL | 0-30 psi | 1 | 18 | 623 | 244.43 |
| G0602-005BL | 0-60 psi | 1 | 18 | 623 | 244.43 |
| G1002-005BL | 0-100 psi | 1 | 18 | 623 | 244.43 |
| G1602-005BL | 0-160 psi | 1 | 18 | 623 | 244.43 |
| G2002-005BL | 0-200 psi | 1 | 18 | 623 | 244.43 |
| G3002-005BL | 0-300 psi | 1 | 18 | 623 | 244.43 |

Low Extractable Product
Low-Extractable Piping For Ultra-Pure Water Systems

| Part Number | Size | Std Pk | Mstr Ctn | Prod Code | MSRP |
|-------------|------|--------|----------|-----------|------|
|-------------|------|--------|----------|-----------|------|



LX-5 Low Extractable One-Step Cement

| | | | | | |
|----------|--------------|----|---|-----|-------|
| LX5C-020 | Pint | 12 | 0 | 702 | 37.23 |
| LX5C-030 | Quart | 12 | 0 | 702 | 60.04 |



Empty Can

| | | | | | |
|--------|--------------|----|---|-----|------|
| MT-654 | Pint | 12 | 0 | 710 | 6.09 |
| MT-651 | Quart | 12 | 0 | 710 | 7.92 |
| MT-653 | Quart | 12 | 0 | 710 | 9.26 |

MT-651 & MT-654 cans have 1-3/4" Screw Neck size
 MT-653 is a TT Paint Type can

Brush



For Pint and Quart cans

| | | | | | |
|--------|----------------------|----|---|-----|-------|
| KD-110 | 4-1/2" Length | 25 | 0 | 710 | 10.62 |
| KD-112 | 5-1/2" length | 25 | 0 | 710 | 10.62 |

Fits 1-3/4" Screw Cap



Roller

| | | | | | |
|------|------------------|----|---|-----|-------|
| 3020 | 3" length | 20 | 0 | 710 | 17.76 |
|------|------------------|----|---|-----|-------|

Fits Paint Type Quart Can (MT-653). For use with pipe sizes 3" to 6"



Cap Dauber

| | | | | | |
|--------|-------------------------|----|---|-----|------|
| DP-75 | 3/4" for Pint | 50 | 0 | 710 | 1.45 |
| DP-125 | 1-1/4" for Pint | 50 | 0 | 710 | 1.75 |
| DQ-125 | 1-1/4" for Quart | 50 | 0 | 710 | 1.75 |

1/2" Diameter for pipe sizes to 1"
 3/4" Diameter for pipe size to 1-1/2"
 1-1/4" Diameter for pipe size 1-1/2" to 3"



Can-Mate Dauber

| | | | | | |
|--------|---------------|----|---|-----|------|
| CM-75 | 3/4" | 50 | 0 | 710 | 5.83 |
| CM-150 | 1-1/4" | 50 | 0 | 710 | 5.83 |

1/2" Diameter for pipe sizes to 1"
 3/4" Diameter for pipe size to 1-1/2"
 1-1/4" Diameter for pipe size 1-1/2" to 3"

| Part Number | Size | Std Pk | Mstr Ctn | Prod Code | MSRP |
|-------------|------|--------|----------|-----------|------|
|-------------|------|--------|----------|-----------|------|

Deburring Tool

Cone Type for pipe from 1/2" through 2"



| | | | | | |
|-------|------------------------|---|---|-----|--------|
| DEB-2 | 1/2" to 2" Pipe | 1 | 6 | 710 | 108.26 |
|-------|------------------------|---|---|-----|--------|

Tee

Socket x Socket x Socket



| | | | | | |
|-----------|--------------|----|-----|-----|--------|
| 801-005BL | 1/2 | 25 | 0 | 065 | 8.92 |
| 801-007BL | 3/4 | 15 | 120 | 065 | 10.91 |
| 801-010BL | 1 | 15 | 0 | 065 | 16.07 |
| 801-012BL | 1-1/4 | 10 | 0 | 065 | 25.04 |
| 801-015BL | 1-1/2 | 10 | 0 | 065 | 37.61 |
| 801-020BL | 2 | 10 | 0 | 065 | 59.71 |
| 801-030BL | 3 | 5 | 0 | 065 | 172.51 |
| 801-040BL | 4 | 5 | 0 | 065 | 288.43 |
| 801-060BL | 6 | 4 | 0 | 065 | 432.65 |

Reducing Tee

Socket x Socket x Socket



| | | | | | |
|-----------|----------------------|----|---|-----|--------|
| 801-131BL | 1X1X3/4 | 15 | 0 | 065 | 15.00 |
| 801-211BL | 1-1/2X1-1/2X1 | 10 | 0 | 065 | 32.60 |
| 801-249BL | 2X2X1 | 10 | 0 | 065 | 41.26 |
| 801-251BL | 2X2X1-1/2 | 10 | 0 | 065 | 41.26 |
| 801-338BL | 3X3X2 | 5 | 0 | 065 | 75.65 |
| 801-422BL | 4X4X3 | 5 | 0 | 065 | 122.32 |
| 801-530BL | 6X6X3 | 4 | 0 | 065 | 518.96 |
| 801-532BL | 6X6X4 | 5 | 0 | 065 | 518.96 |

90° Ell

Socket x Socket



| | | | | | |
|-----------|--------------|----|-----|-----|--------|
| 806-005BL | 1/2 | 20 | 160 | 065 | 5.54 |
| 806-007BL | 3/4 | 20 | 160 | 065 | 6.61 |
| 806-010BL | 1 | 10 | 80 | 065 | 13.11 |
| 806-012BL | 1-1/4 | 10 | 0 | 065 | 20.93 |
| 806-015BL | 1-1/2 | 10 | 0 | 065 | 30.98 |
| 806-020BL | 2 | 25 | 0 | 065 | 52.33 |
| 806-030BL | 3 | 5 | 0 | 065 | 134.17 |
| 806-040BL | 4 | 5 | 0 | 065 | 247.71 |
| 806-060BL | 6 | 4 | 0 | 065 | 371.55 |

90° Sweep Ell

Socket x Socket



| | | | | | |
|------------|------------|----|-----|-----|-------|
| 806-005SBL | 1/2 | 25 | 100 | 065 | 7.91 |
| 806-007SBL | 3/4 | 25 | 0 | 065 | 9.47 |
| 806-010SBL | 1 | 25 | 0 | 065 | 18.74 |

Low Extractable Product
Low-Extractable Piping For Ultra-Pure Water Systems

| Part Number | Size | Std Pk | Mstr Ctn | Prod Code | MSRP |
|----------------------------------|-------|--------|----------|-----------|-------|
| 90° Sweep Ell (continued) | | | | | |
| Socket x Socket | | | | | |
| 806-012SBL | 1-1/4 | 25 | 0 | 065 | 29.92 |
| 806-015SBL | 1-1/2 | 25 | 0 | 065 | 44.23 |
| 806-020SBL | 2 | 25 | 0 | 065 | 74.75 |

45° Ell

Socket x Socket

| | | | | | |
|-----------|-------|----|-----|-----|--------|
| 817-005BL | 1/2 | 20 | 240 | 065 | 8.85 |
| 817-007BL | 3/4 | 10 | 120 | 065 | 12.12 |
| 817-010BL | 1 | 15 | 120 | 065 | 14.53 |
| 817-012BL | 1-1/4 | 10 | 0 | 065 | 25.25 |
| 817-015BL | 1-1/2 | 10 | 0 | 065 | 28.00 |
| 817-020BL | 2 | 10 | 0 | 065 | 44.23 |
| 817-030BL | 3 | 5 | 0 | 065 | 166.38 |
| 817-040BL | 4 | 5 | 0 | 065 | 242.69 |
| 817-060BL | 6 | 5 | 0 | 065 | 364.06 |

Coupling

Socket x Socket

| | | | | | |
|-----------|-------|----|-----|-----|--------|
| 829-005BL | 1/2 | 25 | 300 | 065 | 3.99 |
| 829-007BL | 3/4 | 15 | 180 | 065 | 4.59 |
| 829-010BL | 1 | 15 | 120 | 065 | 8.42 |
| 829-012BL | 1-1/4 | 10 | 80 | 065 | 12.69 |
| 829-015BL | 1-1/2 | 10 | 0 | 065 | 26.19 |
| 829-020BL | 2 | 10 | 0 | 065 | 37.61 |
| 829-030BL | 3 | 5 | 0 | 065 | 61.18 |
| 829-040BL | 4 | 5 | 0 | 065 | 111.29 |
| 829-060BL | 6 | 4 | 0 | 065 | 236.27 |

Reducer Coupling

Socket x Socket

| | | | | | |
|-----------|-------------|----|-----|-----|--------|
| 829-101BL | 3/4X1/2 | 50 | 0 | 065 | 10.64 |
| 829-131BL | 1X3/4 | 25 | 200 | 065 | 15.49 |
| 829-168BL | 1-1/4X1 | 25 | 0 | 065 | 31.46 |
| 829-210BL | 1-1/2X3/4 | 25 | 0 | 065 | 40.57 |
| 829-211BL | 1-1/2X1 | 25 | 0 | 065 | 33.00 |
| 829-212BL | 1-1/2X1-1/4 | 25 | 0 | 065 | 40.78 |
| 829-249BL | 2X1 | 10 | 0 | 065 | 37.23 |
| 829-251BL | 2X1-1/2 | 10 | 0 | 065 | 37.23 |
| 829-338BL | 3X2 | 8 | 0 | 065 | 91.34 |
| 829-420BL | 4X2 | 4 | 0 | 065 | 174.13 |
| 829-422BL | 4X3 | 5 | 0 | 065 | 167.57 |
| 829-532BL | 6X4 | 4 | 0 | 065 | 642.22 |

| Part Number | Size | Std Pk | Mstr Ctn | Prod Code | MSRP |
|--|------|--------|----------|-----------|------|
| GripLoc™ Transition Coupling | | | | | |
| Socket x GripLoc™ Compression EPDM Gasket | | | | | |
| WARNING: DO NOT INSERT FINGERS | | | | | |

For quick connection to other IPS Piping Systems

| | | | | | |
|------------|-------|----|---|-----|-------|
| P092-005BL | 1/2 | 28 | 0 | 136 | 13.14 |
| P092-007BL | 3/4 | 24 | 0 | 136 | 15.60 |
| P092-010BL | 1 | 20 | 0 | 136 | 19.72 |
| P092-012BL | 1-1/4 | 10 | 0 | 136 | 26.29 |
| P092-015BL | 1-1/2 | 16 | 0 | 136 | 26.29 |
| P092-020BL | 2 | 12 | 0 | 136 | 34.51 |

Special Reinforced Female Adapter

Socket x SR Fipt

| | | | | | |
|-------------|-------|----|-----|-----|--------|
| 835-005SRBL | 1/2 | 25 | 300 | 065 | 8.26 |
| 835-007SRBL | 3/4 | 25 | 200 | 065 | 10.14 |
| 835-010SRBL | 1 | 25 | 0 | 065 | 16.31 |
| 835-012SRBL | 1-1/4 | 10 | 80 | 065 | 21.05 |
| 835-015SRBL | 1-1/2 | 10 | 80 | 065 | 26.34 |
| 835-020SRBL | 2 | 10 | 0 | 065 | 49.93 |
| 835-030SRBL | 3 | 5 | 0 | 065 | 67.52 |
| 835-040SRBL | 4 | 5 | 0 | 065 | 108.35 |

Special Reinforced Reducing Spigot Female Adapter

Spigot x SR Fipt

| | | | | | |
|-------------|---------|----|-----|-----|-------|
| 878-072SRBL | 1/2X1/4 | 25 | 450 | 065 | 16.48 |
| 878-098SRBL | 3/4X1/4 | 50 | 300 | 065 | 22.78 |
| 878-128SRBL | 1X1/4 | 50 | 0 | 065 | 23.42 |

Male Adapter

Mipt x Socket

| | | | | | |
|-----------|-------|----|-----|-----|--------|
| 836-005BL | 1/2 | 25 | 300 | 065 | 10.13 |
| 836-007BL | 3/4 | 25 | 200 | 065 | 11.20 |
| 836-010BL | 1 | 10 | 60 | 065 | 19.40 |
| 836-012BL | 1-1/4 | 10 | 80 | 065 | 22.67 |
| 836-015BL | 1-1/2 | 10 | 80 | 065 | 32.60 |
| 836-020BL | 2 | 10 | 0 | 065 | 47.12 |
| 836-030BL | 3 | 5 | 0 | 065 | 74.33 |
| 836-040BL | 4 | 5 | 0 | 065 | 105.72 |

Reducer Bushing Flush Style

Spigot x Socket

| | | | | | |
|-----------|-----------|----|---|-----|-------|
| 837-101BL | 3/4X1/2 | 50 | 0 | 065 | 6.03 |
| 837-130BL | 1X1/2 | 50 | 0 | 065 | 8.88 |
| 837-131BL | 1X3/4 | 50 | 0 | 065 | 8.88 |
| 837-166BL | 1-1/4X1/2 | 25 | 0 | 065 | 12.61 |

Suitable for Oil-Free air handling to 25 psi, not for distribution of compressed air or gas

Low Extractable Product
Low-Extractable Piping For Ultra-Pure Water Systems

| Part Number | Size | Std Pk | Mstr Ctn | Prod Code | MSRP |
|-------------|------|--------|----------|-----------|------|
|-------------|------|--------|----------|-----------|------|

Reducer Bushing Flush Style (continued)

Spigot x Socket

| | | | | | |
|-----------|-------------|----|-----|-----|--------|
| 837-168BL | 1-1/4X1 | 25 | 200 | 065 | 12.61 |
| 837-210BL | 1-1/2X3/4 | 25 | 0 | 065 | 17.17 |
| 837-211BL | 1-1/2X1 | 25 | 200 | 065 | 17.17 |
| 837-212BL | 1-1/2X1-1/4 | 25 | 200 | 065 | 17.17 |
| 837-249BL | 2X1 | 10 | 80 | 065 | 24.51 |
| 837-251BL | 2X1-1/2 | 10 | 80 | 065 | 24.51 |
| 837-338BL | 3X2 | 10 | 0 | 065 | 67.36 |
| 837-422BL | 4X3 | 6 | 0 | 065 | 116.60 |
| 837-532BL | 6X4 | 5 | 0 | 065 | 185.24 |

Reducer Bushing Flush Style

Spigot x Fipt

| | | | | | |
|-----------|-----------|----|-----|-----|-------|
| 838-072BL | 1/2X1/4 | 50 | 400 | 065 | 7.72 |
| 838-073BL | 1/2X3/8 | 50 | 600 | 065 | 7.72 |
| 838-098BL | 3/4X1/4 | 50 | 0 | 065 | 5.09 |
| 838-101BL | 3/4X1/2 | 50 | 0 | 065 | 5.09 |
| 838-129BL | 1X3/8 | 50 | 400 | 065 | 8.02 |
| 838-130BL | 1X1/2 | 50 | 0 | 065 | 8.02 |
| 838-131BL | 1X3/4 | 50 | 0 | 065 | 8.02 |
| 838-210BL | 1-1/2X3/4 | 25 | 200 | 065 | 21.07 |
| 838-211BL | 1-1/2X1 | 25 | 200 | 065 | 21.07 |

Cap

Socket

| | | | | | |
|-----------|-------|----|-----|-----|--------|
| 847-005BL | 1/2 | 25 | 300 | 065 | 8.55 |
| 847-007BL | 3/4 | 25 | 300 | 065 | 8.94 |
| 847-010BL | 1 | 15 | 180 | 065 | 15.92 |
| 847-012BL | 1-1/4 | 10 | 120 | 065 | 19.21 |
| 847-015BL | 1-1/2 | 10 | 80 | 065 | 27.44 |
| 847-020BL | 2 | 10 | 80 | 065 | 37.95 |
| 847-030BL | 3 | 5 | 0 | 065 | 90.71 |
| 847-040BL | 4 | 5 | 0 | 065 | 152.93 |
| 847-060BL | 6 | 4 | 0 | 065 | 516.82 |

Union

Socket x Socket EPDM O-ring Seals

235 psi Maximum Internal Pressure Rating @ 73°F (23°C)

| | | | | | |
|------------|-------|----|----|-----|--------|
| 897-005BL | 1/2 | 10 | 60 | 065 | 15.25 |
| 897-007BL | 3/4 | 10 | 40 | 065 | 19.15 |
| 897-010BL | 1 | 10 | 40 | 065 | 25.04 |
| 897-012BL | 1-1/4 | 5 | 20 | 065 | 36.13 |
| 897-015BL | 1-1/2 | 5 | 0 | 065 | 49.40 |
| 897-020BL | 2 | 5 | 0 | 065 | 74.46 |
| 8097-030BL | 3 | 5 | 0 | 065 | 126.13 |
| 8097-040BL | 4 | 4 | 0 | 065 | 174.51 |

| Part Number | Size | Std Pk | Mstr Ctn | Prod Code | MSRP |
|-------------|------|--------|----------|-----------|------|
|-------------|------|--------|----------|-----------|------|

Union

Socket x Socket FKM O-ring Seals

235 psi Maximum Internal Pressure Rating @ 73°F (23°C)

| | | | | | |
|------------|-------|----|----|-----|--------|
| 857-005BL | 1/2 | 10 | 60 | 065 | 18.74 |
| 857-007BL | 3/4 | 10 | 40 | 065 | 22.86 |
| 857-010BL | 1 | 10 | 40 | 065 | 31.69 |
| 857-012BL | 1-1/4 | 5 | 20 | 065 | 42.76 |
| 857-015BL | 1-1/2 | 5 | 0 | 065 | 59.71 |
| 857-020BL | 2 | 5 | 0 | 065 | 90.67 |
| 8057-030BL | 3 | 5 | 0 | 065 | 153.77 |
| 8057-040BL | 4 | 4 | 0 | 065 | 212.84 |

Flange Socket Van Stone Style

Rated @ 150 psi Working Pressure @ 73°F (23°C)

| | | | | | |
|-----------|-------|----|---|-----|--------|
| 854-005BL | 1/2 | 25 | 0 | 065 | 26.28 |
| 854-007BL | 3/4 | 25 | 0 | 065 | 28.14 |
| 854-010BL | 1 | 15 | 0 | 065 | 31.32 |
| 854-012BL | 1-1/4 | 15 | 0 | 065 | 32.27 |
| 854-015BL | 1-1/2 | 20 | 0 | 065 | 32.96 |
| 854-020BL | 2 | 10 | 0 | 065 | 43.80 |
| 854-030BL | 3 | 10 | 0 | 065 | 74.80 |
| 854-040BL | 4 | 5 | 0 | 065 | 94.60 |
| 854-060BL | 6 | 4 | 0 | 065 | 211.92 |

PVC New Style Standard Tank Adapters with EPDM Gaskets

Socket x Socket

150 psi Maximum Internal Pressure Rating @ 73°F (23°C)

| | | | | | |
|-------------|-------|----|---|-----|--------|
| 8170E-005BL | 1/2 | 25 | 0 | 065 | 51.36 |
| 8170E-007BL | 3/4 | 25 | 0 | 065 | 58.28 |
| 8170E-010BL | 1 | 25 | 0 | 065 | 66.91 |
| 8170E-012BL | 1-1/4 | 20 | 0 | 065 | 84.67 |
| 8170E-015BL | 1-1/2 | 20 | 0 | 065 | 88.86 |
| 8170E-020BL | 2 | 15 | 0 | 065 | 128.08 |
| 8170E-030BL | 3 | 4 | 0 | 065 | 216.60 |
| 8170E-040BL | 4 | 2 | 0 | 065 | 359.55 |

PVC New Style Standard Tank Adapters with FKM Gaskets

Socket x Socket

150 psi Maximum Internal Pressure Rating @ 73°F (23°C)

| | | | | | |
|-------------|-------|----|---|-----|--------|
| 8170V-005BL | 1/2 | 25 | 0 | 065 | 67.34 |
| 8170V-007BL | 3/4 | 25 | 0 | 065 | 77.46 |
| 8170V-010BL | 1 | 25 | 0 | 065 | 89.66 |
| 8170V-012BL | 1-1/4 | 20 | 0 | 065 | 110.16 |
| 8170V-015BL | 1-1/2 | 20 | 0 | 065 | 114.82 |
| 8170V-020BL | 2 | 15 | 0 | 065 | 173.84 |

Low Extractable Product
Low-Extractable Piping For Ultra-Pure Water Systems

| Part Number | Size | Std Pk | Mstr Ctn | Prod Code | MSRP |
|-------------|------|--------|----------|-----------|------|
|-------------|------|--------|----------|-----------|------|

PVC New Style Standard Tank Adapters with FKM Gaskets

(continued)

Socket x Socket

| | | | | | |
|-------------|---|---|---|-----|--------|
| 8170V-030BL | 3 | 4 | 0 | 065 | 297.86 |
| 8170V-040BL | 4 | 2 | 0 | 065 | 659.78 |

Wrench Sets

Body Wrench & Nut Wrench



| | | | | | |
|---------|-------|---|----|-----|-------|
| TAW-005 | 1/2 | 1 | 25 | 299 | 26.87 |
| TAW-007 | 3/4 | 1 | 25 | 299 | 27.40 |
| TAW-010 | 1 | 1 | 25 | 299 | 28.49 |
| TAW-012 | 1-1/4 | 1 | 20 | 299 | 32.15 |
| TAW-015 | 1-1/2 | 1 | 20 | 299 | 34.86 |
| TAW-020 | 2 | 1 | 10 | 299 | 39.72 |
| TAW-030 | 3 | 1 | 10 | 299 | 48.43 |
| TAW-040 | 4 | 1 | 10 | 299 | 51.87 |

Individual Body Wrench

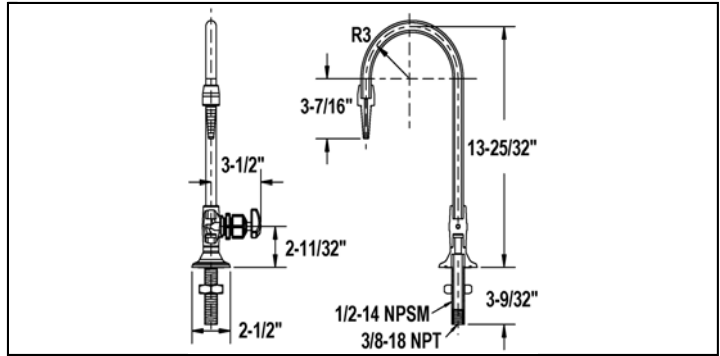


| | | | | | |
|----------|-------|-----|---|-----|-------|
| TAW1-005 | 1/2 | 250 | 0 | 299 | 15.08 |
| TAW1-007 | 3/4 | 220 | 0 | 299 | 15.37 |
| TAW1-010 | 1 | 200 | 0 | 299 | 16.00 |
| TAW1-012 | 1-1/4 | 300 | 0 | 299 | 18.13 |
| TAW1-015 | 1-1/2 | 150 | 0 | 299 | 19.52 |
| TAW1-020 | 2 | 100 | 0 | 299 | 21.19 |
| TAW1-030 | 3 | 74 | 0 | 299 | 27.76 |
| TAW1-040 | 4 | 35 | 0 | 299 | 28.56 |

Individual Nut Wrench



| | | | | | |
|----------|-------|-----|---|-----|-------|
| TAW2-005 | 1/2 | 200 | 0 | 299 | 15.08 |
| TAW2-007 | 3/4 | 160 | 0 | 299 | 15.37 |
| TAW2-010 | 1 | 110 | 0 | 299 | 16.00 |
| TAW2-012 | 1-1/4 | 200 | 0 | 299 | 18.13 |
| TAW2-015 | 1-1/2 | 120 | 0 | 299 | 19.52 |
| TAW2-020 | 2 | 100 | 0 | 299 | 21.19 |
| TAW2-030 | 3 | 40 | 0 | 299 | 27.76 |
| TAW2-040 | 4 | 35 | 0 | 299 | 28.56 |

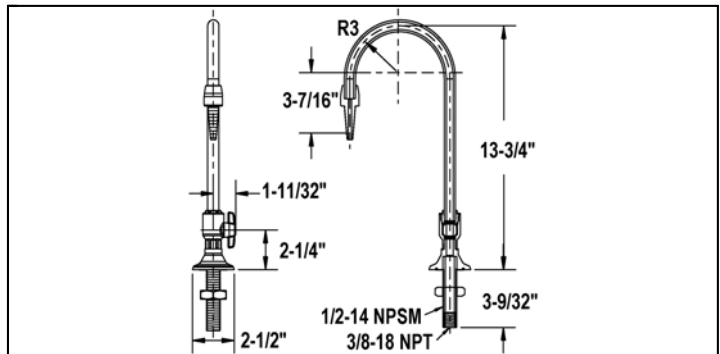


Gooseneck Units - Deck Mount Lab Fixture w/Needle Valve

| Part Number | Size | Std Pk | Mstr Ctn | Prod Code | MSRP |
|-------------|------|--------|----------|-----------|------|
|-------------|------|--------|----------|-----------|------|

Base, Gooseneck & Serrated Tip with Needle Valve-Metered Flow

| | | | | | |
|------------|---------------|---|---|-----|--------|
| LF1000-BLN | LE, PTFE Seal | 1 | 0 | 066 | 462.08 |
|------------|---------------|---|---|-----|--------|

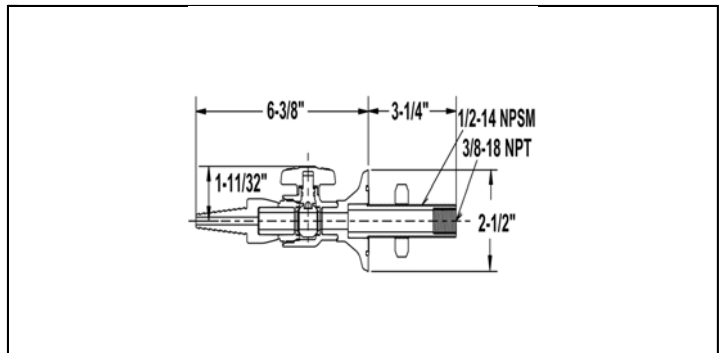


Gooseneck Units - Deck Mount Lab Fixture w/Ball Valve

| Part Number | Size | Std Pk | Mstr Ctn | Prod Code | MSRP |
|-------------|------|--------|----------|-----------|------|
|-------------|------|--------|----------|-----------|------|

Base, Gooseneck & Serrated Tip with Ball Valve-Direct Flow

| | | | | | |
|-----------|---------------|---|---|-----|--------|
| LF1002-BL | LE, EPDM Seal | 1 | 0 | 066 | 386.43 |
| LF1003-BL | LE, FKM Seal | 1 | 0 | 066 | 429.38 |



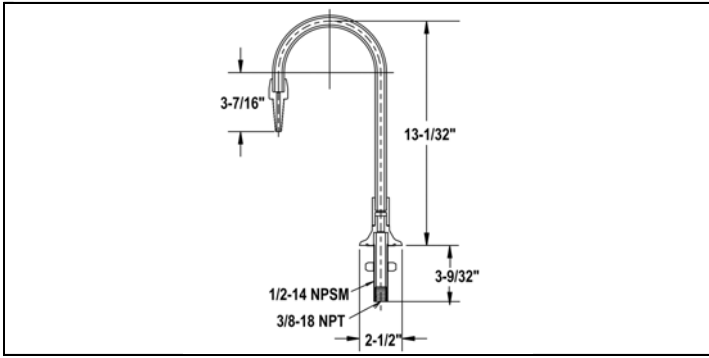
Turret Unit - Panel Mount Lab Fixture w/Ball Valve

| Part Number | Size | Std Pk | Mstr Ctn | Prod Code | MSRP |
|-------------|------|--------|----------|-----------|------|
|-------------|------|--------|----------|-----------|------|

Turret Base & Serrated Tip with Ball Valve-Direct Flow

| | | | | | |
|-----------|---------------|---|---|-----|--------|
| LF3002-BL | LE, EPDM Seal | 1 | 0 | 066 | 380.09 |
| LF3003-BL | LE, FKM Seal | 1 | 0 | 066 | 422.39 |

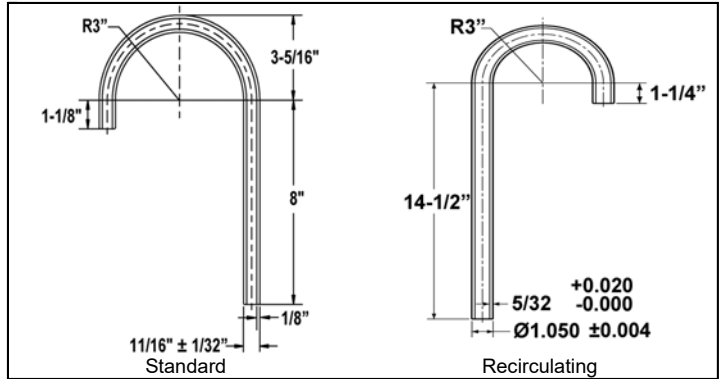
Low Extractable Product
Low-Extractable Piping For Ultra-Pure Water Systems



Remote Valve Units (No Valve) - Deck Mount Gooseneck

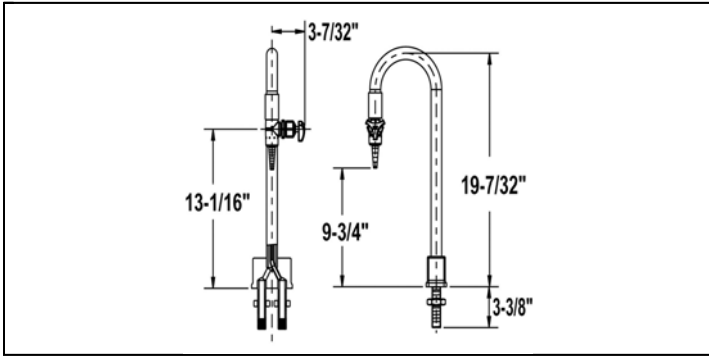
| Part Number | Size | Std Pk | Mstr Ctn | Prod Code | MSRP |
|-----------------|-----------|--------|----------|-----------|--------|
| LF100-BL | LE | 1 | 0 | 066 | 317.09 |

Base, Gooseneck & Serrated Tip - For use with Remote Valve



Accessory/ Replacement Gooseneck (3/8")

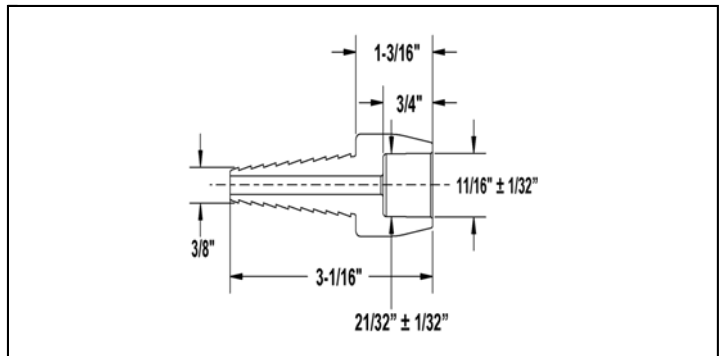
| Part Number | Size | Std Pk | Mstr Ctn | Prod Code | MSRP |
|-----------------|-----------|--------|----------|-----------|-------|
| LFGN-BL | LF | 1 | 0 | 066 | 44.63 |
| LFRGN-BL | LE | 1 | 0 | 066 | 62.55 |



Gooseneck Recirculating Units -Deck Mount Lab Fixture w/Needle Valve

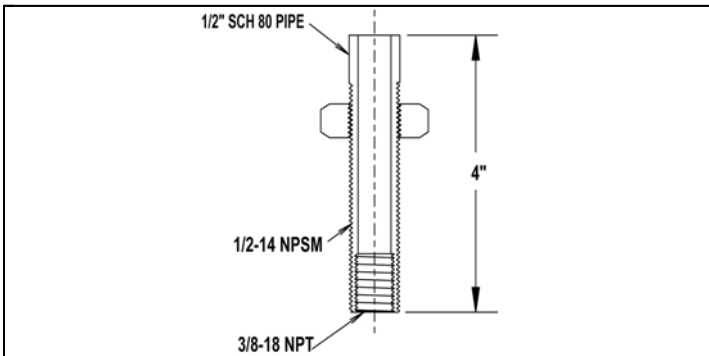
| Part Number | Size | Std Pk | Mstr Ctn | Prod Code | MSRP |
|-------------------|----------------------|--------|----------|-----------|--------|
| LF1000-BLN | LE, PTFE Seal | 1 | 0 | 066 | 962.61 |

Base, Gooseneck & Serrated Tip with Needle Valve - Metered Flow



Accessory/ Replacement Straight Serrated Tip Only

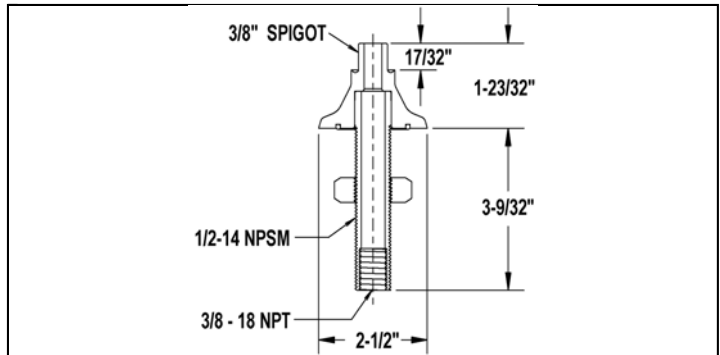
| Part Number | Size | Std Pk | Mstr Ctn | Prod Code | MSRP |
|-----------------|-----------|--------|----------|-----------|------|
| LF400-BL | LE | 600 | 0 | 066 | 9.44 |



Accessory/ Replacement Fixture Connection Nipple

| Part Number | Size | Std Pk | Mstr Ctn | Prod Code | MSRP |
|-----------------|-----------|--------|----------|-----------|-------|
| LF500-BL | LE | 1 | 0 | 066 | 52.52 |

With Locknut (Included on all fixtures listed above)



Accessory/ Replacement Base Only

| Part Number | Size | Std Pk | Mstr Ctn | Prod Code | MSRP |
|---------------|-----------|--------|----------|-----------|------|
| LFB-BL | LE | 1 | 0 | 066 | 6.60 |

Deck Mount