

Compression & Repair Fittings

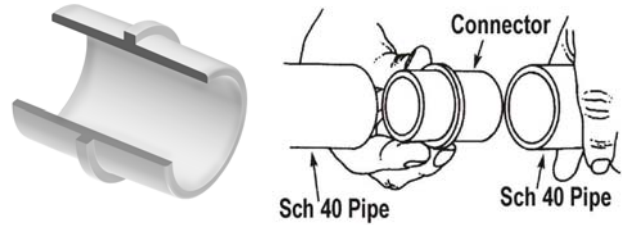
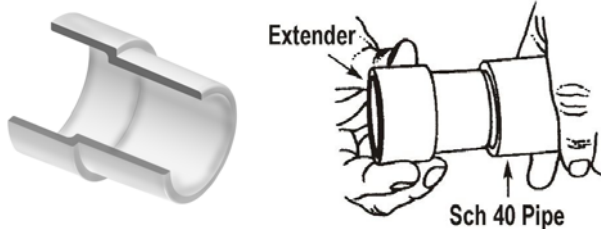
PRODUCT

Schedule 40 Fittings Product

Schedule 40 Repair Fittings & Fabricated Repair Couplings

Schedule 40 Repair Fittings

Schedule 40 Pipe Repair Fittings
Allows Difficult Broken Pipe Repair To Be Made Easily



Pipe Inside Connectors, Schedule 40

Part Number	Size	Std Pk	Mstr Ctn	Prod Code	MSRP
Pipe I.D. Spigot x Pipe I.D. Spigot					
S0302-10	1	50	300	894	4.18
S0302-15	1-1/2	50	0	894	5.69
S0302-20	2	20	0	894	6.31
S0302-30	3	25	0	894	19.80
S0302-40	4	5	0	894	23.52

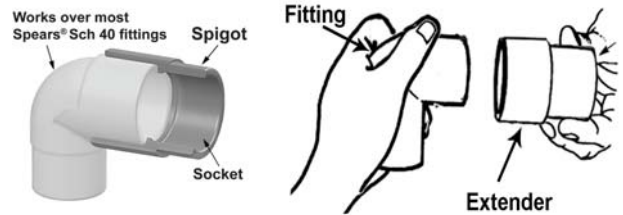
Pipe Extenders, Schedule 40

Part Number	Size	Std Pk	Mstr Ctn	Prod Code	MSRP
-------------	------	--------	----------	-----------	------

Pipe O.D. Spigot x Pipe I.D. Spigot

* Fabricated, Non-Pressure Rated

S0301-05	1/2	100	600	894	2.01
S0301-07	3/4	50	300	894	3.29
S0301-10	1	50	200	894	4.18
S0301-12	1-1/4	50	0	894	5.00
S0301-15	1-1/2	50	0	894	5.69
S0301-20	2	25	0	894	6.31
S0301-25	2-1/2	25	0	894	7.52
S0301-30	3	25	0	894	17.56
S0301-40	4	20	0	894	20.69
S0301-60F	6	1	10	392	81.21
S0301-80F	8	1	2	392	163.15
S0301-100F	10	1	0	392	253.18
S0301-120F	12	1	0	392	367.14



Fitting Extenders, Schedule 40

Part Number	Size	Std Pk	Mstr Ctn	Prod Code	MSRP
Spigot (Socket) x Socket O.D.					
Spigot End also functions as next size down Socket					
S0303-15	1-1/2	25	0	894	7.93
S0303-20	2	25	0	894	9.81

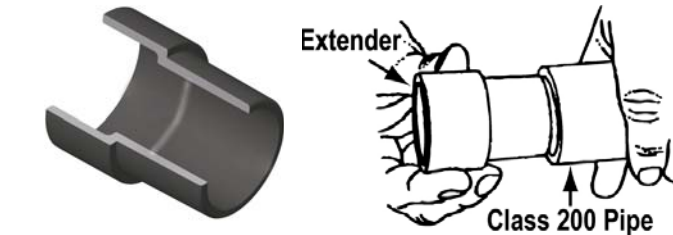
Fabricated Repair Couplings

Part Number	Size	Gasket to Gasket - L1	Std Pk	Mstr Ctn	Prod Code	MSRP
-------------	------	-----------------------	--------	----------	-----------	------

Repair Coupling, Schedule 40 Fabricated

Gasket x Gasket

428-020F	2	6	1	10	047	76.49
428-030F	3	11- 3/4	1	12	047	99.12
428-040F	4	15	1	4	047	114.77
428-060F	6	18-1/4	1	3	047	155.58
428-080F	8	21-1/2	1	2	047	213.36
428-100F	10	22-1/8	1	0	047	319.62
428-120F	12	22-5/8	1	0	047	416.17
428-140F	14	21-1/2	1	0	047	814.43
428-160F	16	24	1	0	047	1139.67
428-180F	18	22-5/8	1	0	047	1754.15
428-200F	20	23-1/2	1	0	047	2093.65
428-240F	24	23-1/2	1	0	047	2922.85



Pipe Extenders, Class 200

Part Number	Size	Std Pk	Mstr Ctn	Prod Code	MSRP
-------------	------	--------	----------	-----------	------

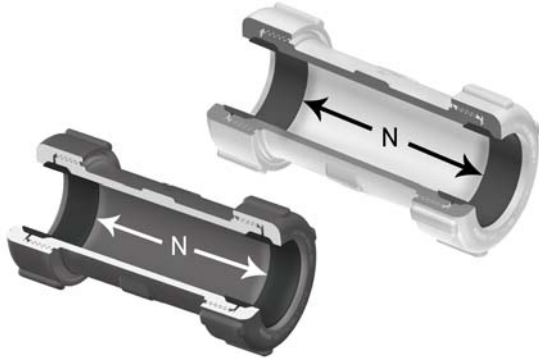
Pipe O.D. Spigot x Pipe I.D. Spigot

Fits Class 200 Pipe I.D.

S0304-10	1	25	150	894	4.62
S0304-12	1-1/4	10	120	894	5.06
S0304-15	1-1/2	10	120	894	5.51
S0304-20	2	25	0	894	6.16

Schedule 40 Fittings Product Compression Couplings & Nut Wrenches

Compression Couplings & Nut Wrenches



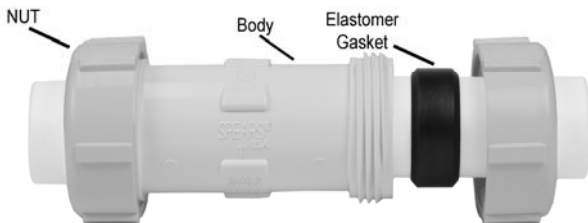
- Designed for Quick Connections, System Modifications or Repairs
- Completely Redesigned for Improved Versatility
- PVC White plus New Industrial PVC Gray
- Easy-Thread Compression Nut
- New Spigot Conversion Capability
- Full Service Pressure Rating
1/2" - 2-1/2" = 200psi, 3" - 6" = 150psi
- NSF® Certified for Potable Water Use

Option: Convert Fittings to Compression Outlet

Socket-type fittings 3/4" through 3" can be easily converted to compression outlet sizes 1/2" through 2-1/2" by simply cutting the Compression Coupling at the center holding ribs and solvent welding the spigot body into a fitting socket.



Compression Coupling Size (in.)	Body Spigot Size (in.)
1/2	3/4
3/4	1
1	1-1/4
1-1/4	1-1/2
1-1/2	2
2	2-1/2
2-1/2	3



Compression Coupling, PVC White

Part Number	Size	Gasket to Gasket - N	Std Pk	Mstr Ctn	Prod Code	MSRP
Elastomer Gasket						
S110-05	1/2	3-3/8	28	0	024	4.73
S110-07	3/4	3-9/16	24	0	024	6.40
S110-10	1	3-3/4	20	0	024	8.33
S110-12	1-1/4	4-1/8	10	0	024	12.76
S110-15	1-1/2	4-5/8	16	0	024	13.15
S110-20	2	5-1/16	12	0	024	17.11
S110-25	2-1/2	5-7/8	6	0	024	32.18
S110-30	3	6-3/16	4	0	024	42.14
S110-40	4	7-3/8	4	0	024	69.29
S110-60	6	7-9/16	1	0	024	157.60

Compression Coupling, PVC Gray

Part Number	Size	Gasket to Gasket - N	Std Pk	Mstr Ctn	Prod Code	MSRP
Elastomer Gasket						
S110-05G	1/2	3-3/8	28	0	024	5.06
S110-07G	3/4	3-9/16	24	0	024	7.57
S110-10G	1	3-3/4	20	0	024	9.77
S110-12G	1-1/4	4-1/8	10	0	024	15.07
S110-15G	1-1/2	4-5/8	16	0	024	15.56
S110-20G	2	5-1/16	12	0	024	20.19
S110-25G	2-1/2	5-7/8	6	0	024	38.02
S110-30G	3	6-3/16	4	0	024	49.69
S110-40G	4	7-3/8	4	0	024	81.77
S110-60G	6	7-9/16	1	0	024	185.95

Compression Coupling Nut Wrench Set

Part Number	Size	Std Pk	Mstr Ctn	Prod Code	MSRP
CCW-000	Set	1	25	299	122.38
Complete Set of Wrenches, Sizes 1/2 - 3					

Compression Coupling Nut Wrenches



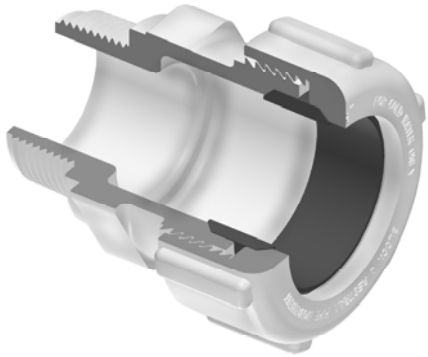
CCW-005	1/2	1	50	299	14.65
CCW-007	3/4	1	50	299	14.91
CCW-010	1	1	50	299	15.54
CCW-012	1-1/4	1	50	299	17.57
CCW-015	1-1/2	1	50	299	18.96
CCW-020 ¹	2	1	50	299	21.19
CCW-030 ²	3	1	25	299	26.06
CCW-060	6	8	0	299	39.19

¹ CCW-20 - Wrench also fits 2-1/2" Coupling Body

² CCW-30 - Wrench also fits 4" Coupling Body

Schedule 40 Fittings Product
Compression Male Adapters & Repair Couplings

Compression Male Adapters



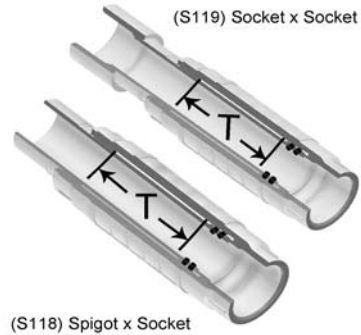
- Quickly Adapts Pipe to MIPT Thread
- Easy-Thread Compression Nut
- 200 psi Pressure Rating
- NSF® Certified for Potable Water Use

Uses same Nut Wrench sets available for Compression Couplings

Compression Male Adapters, PVC

Part Number	Size	Std Pk	Mstr Ctn	Prod Code	MSRP
Elastomer Gasket					
Uses Regular Compression Coupling Nut Wrenches					
S130-05	1/2	25	150	024	3.85
S130-07	3/4	25	200	024	4.65
S130-10	1	25	0	024	5.91
S130-12	1-1/4	25	0	024	9.07
S130-15	1-1/2	25	0	024	9.31
S130-20	2	25	0	024	11.60

Repair Couplings



- Multi-function Telescoping Design
- Regular and Short configurations
- Socket x Socket Configuration for Pipe Repair or Use as a Short-Stroke Expansion Joint
- Spigot x Socket Configuration for Replacing Damaged Fittings
- Both Configurations can be Easily Modified for Opposite Use
- Double O-ring Seal in EPDM
- 1/2" - 2" Pressure Rated to 235 PSI @ 73°F (23°C)
- 2-1/2" - 4" Pressure Rated to 200 PSI @ 73°F (23°C)
- 6" Pressure Rated to 150 PSI @ 73°F (23°C)
- NSF® Certified for Potable Water Use

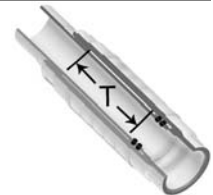
Versatile Repair Capability

Repair Couplings provide a variety of system repair and alteration solutions. Use Socket x Socket configurations for quick pipe damage repair - can also be used as a short-stroke expansion joint to compensate for thermal expansion & contraction. Spigot x Socket configurations are excellent for lateral and riser add-ons, damaged fitting replacement, or for installing valves in existing piping systems. Order the wrong configuration? Simply cut coupling from Socket shaft end to function as a spigot or add a coupling to Spigot shaft end for Socket connections.

Part Number	Size	Travel - T	Std Pk	Mstr Ctn	Prod Code	MSRP
-------------	------	------------	--------	----------	-----------	------

Repair Coupling - Spigot x Socket

PVC White with EPDM O-ring



Can be used as short-stroke Expansion Joint

S118-05	1/2	3	25	0	025	6.82
S118-07	3/4	4	30	0	025	7.76
S118-10	1	4	15	0	025	8.94
S118-12	1-1/4	4	25	0	025	16.86
S118-15	1-1/2	4	25	0	025	18.37
S118-20	2	4-1/4	12	0	025	28.41
S118-25	2-1/2	6	5	0	025	41.22
S118-30	3	6	4	0	025	51.49
S118-40	4	6	2	0	025	90.12

Schedule 40 Fittings Product
Short Repair Couplings & GripLoc™ Compression Couplings & GripLoc™ Compression Adapters

Repair Couplings

Part Number	Size	Travel - T	Std Pk	Mstr Ctn	Prod Code	MSRP
Repair Coupling - Spigot x Socket (continued)						
PVC White with EPDM O-ring						
S118-60	6	6	1	0	025	220.49
Unit Must Be Thrust Blocked						
T = Repair Coupling Travel						



Repair Coupling - Socket x Socket

PVC White with EPDM O-ring

Can be used as short-stroke Expansion Joint

S119-05	1/2	3	30	0	025	6.82
S119-07	3/4	4	24	0	025	7.76
S119-10	1	4	20	0	025	8.94
S119-12	1-1/4	4	10	0	025	16.86
S119-15	1-1/2	4	16	0	025	18.37
S119-20	2	4	10	0	025	28.41
S119-25	2-1/2	6	5	0	025	41.22
S119-30	3	6	4	0	025	51.49
S119-40	4	6	2	0	025	90.12
S119-60	6	6	1	0	025	220.49
Unit Must Be Thrust Blocked						
T = Repair Coupling Travel						

Short Repair Couplings

Repair Coupling - Short, Spigot x Socket

PVC White with EPDM O-ring

SH118-05	1/2	2	36	0	025	6.82
SH118-07	3/4	2-1/4	30	0	025	7.76
SH118-10	1	2	35	0	025	8.94
SH118-12	1-1/4	2-1/2	25	0	025	16.86
SH118-15	1-1/2	2-3/4	32	0	025	18.37
SH118-20	2	3	15	0	025	28.41
Unit Must Be Thrust Blocked						
T = Repair Coupling Travel						



Repair Coupling - Short, Socket x Socket

PVC White with EPDM O-ring

SH119-05	1/2	2	40	0	025	6.82
SH119-07	3/4	2	30	0	025	7.76
SH119-10	1	2	30	0	025	8.94
SH119-12	1-1/4	2-1/2	20	0	025	16.86
SH119-15	1-1/2	2-3/4	21	0	025	18.37



Part Number	Size	Travel - T	Std Pk	Mstr Ctn	Prod Code	MSRP
-------------	------	------------	--------	----------	-----------	------

Repair Coupling - Short, Socket x Socket (continued)

PVC White with EPDM O-ring

SH119-20	2	3-1/4	12	0	025	28.41
Unit Must Be Thrust Blocked						
T = Repair Coupling Travel						

GripLoc™ Compression Couplings

Tightening nut compresses special stainless steel Gripper Ring to firmly grip pipe and prevent potential pull-out. Compressed Gland Ring ensures positive O-ring seal against pipe.



Part Number	Size	Std Pk	Mstr Ctn	Prod Code	MSRP
-------------	------	--------	----------	-----------	------

GripLoc™ Compression Couplings

WARNING: DO NOT INSERT FINGERS
For Cold Water Only - EPDM Gasket
1/2" - 2" Pressure Rated to 235 psi
3" - 4" Pressure Rated to 150 psi



Hand Tighten ONLY - No Nut Wrenches Required

S112-05	1/2	28	0	131	22.56
S112-07	3/4	1	24	131	24.92
S112-10	1	1	20	131	31.28
S112-12	1-1/4	1	10	131	38.15
S112-15	1-1/2	1	16	131	46.19
S112-20	2	1	12	131	54.45
S112-30	3	1	4	131	93.47
S112-40	4	1	4	131	105.68

GripLoc™ Compression Adapters

GripLoc™ Compression Male Adapter

WARNING: DO NOT INSERT FINGERS
For Cold Water Only - Mipt x EPDM
GripLoc™ Gasket



Hand Tighten ONLY - No Nut Wrenches Required

S135-05	1/2	1	25	131	13.52
S135-07	3/4	1	25	131	15.86

Schedule 40 Fittings Product

GripLoc™ Compression Adapters & GripLoc™ Coupling & GripLoc™ Cap

GripLoc™ Compression Adapters

Part Number	Size	Std Pk	Mstr Ctn	Prod Code	MSRP
GripLoc™ Compression Male Adapter (continued)					
WARNING: DO NOT INSERT FINGERS					
For Cold Water Only - Mipt x EPDM GripLoc™ Gasket					
S135-10	1	1	25	131	18.13
S135-12	1-1/4	1	20	131	20.91
S135-15	1-1/2	1	25	131	23.81
S135-20	2	1	25	131	29.28

GripLoc™ Compression Female Adapter

WARNING: DO NOT INSERT FINGERS
For Cold Water Only - Fipt x EPDM GripLoc™ Gasket



Hand Tighten ONLY - No Nut Wrenches Required

S136-05	1/2	1	28	131	21.84
S136-07	3/4	1	24	131	24.37
S136-10	1	1	20	131	28.41
S136-12	1-1/4	1	20	131	39.06
S136-15	1-1/2	1	16	131	49.46
S136-20	2	1	10	131	60.78

GripLoc™ Coupling

GripLoc™ Coupling

WARNING: DO NOT INSERT FINGERS
For Cold Water Only - EPDM Gasket
Pressure Rated to 235 psi @ 73°F



Uses No Solvent Cement

GL429-005	1/2	1	40	131	15.79
GL429-007	3/4	1	36	131	20.65
GL429-010	1	1	20	131	21.26
GL429-012	1-1/4	1	15	131	25.27
GL429-015	1-1/2	1	15	131	25.27
GL429-020	2	1	10	131	26.24

GripLoc™ IPS Size Release Tool

For Removal of GripLoc™ Fittings



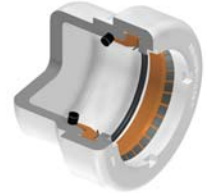
GLIPSRT-005	1/2	1	50	299	5.83
GLIPSRT-007	3/4	1	50	299	5.83
GLIPSRT-010	1	1	50	299	5.83

GripLoc™ Cap

Part Number	Size	Std Pk	Mstr Ctn	Prod Code	MSRP
-------------	------	--------	----------	-----------	------

GripLoc™ Cap

WARNING: DO NOT INSERT FINGERS
For Cold Water Only - EPDM Gasket
Pressure Rated to 235 psi @ 73°F



Uses No Solvent Cement

GL447-005	1/2	1	50	131	14.51
GL447-007	3/4	10	50	131	18.81
GL447-010	1	1	50	131	19.75
GL447-012	1-1/4	1	25	131	25.96
GL447-015	1-1/2	1	25	131	29.54
GL447-020	2	1	25	131	33.12